

User's Guide

for Echo 21 Thunderbolt 5 SuperDock



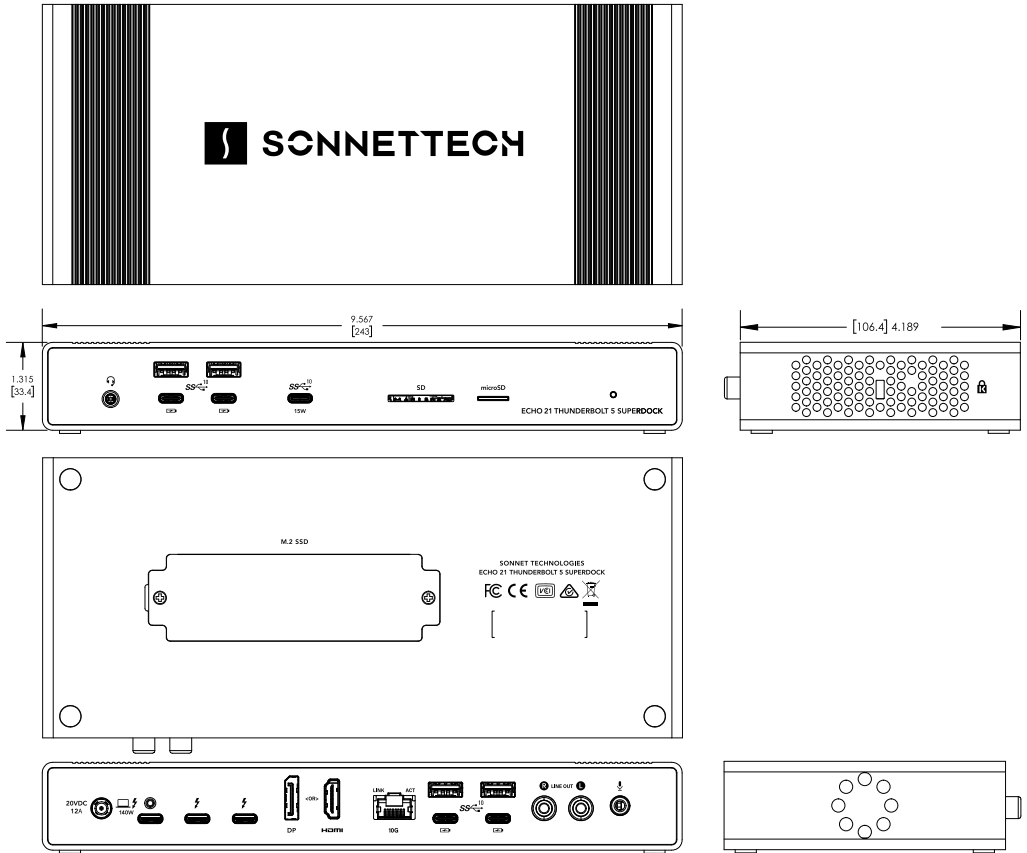
Support Note: This document was up to date at the time of printing. However, changes to the hardware or software may have occurred since then. Please check the Sonnet website for the latest documentation.

1. Go to <https://www.sonnettech.com/support/kb/kb.php>
2. Navigate to and click the Echo 21 Thunderbolt 5 SuperDock link.
3. Click the Manual link.
4. Click the Echo 21 Thunderbolt 5 SuperDock User's Guide [English/French] link and then check the Document Version information. If the version listed is later than this document (**revision C**), click the Download Now button for the latest version.

Contents

1	Compatibility Information	1
	Compatibility	
	Ethernet Driver Information	
2	Echo 21 Thunderbolt 5 SuperDock Description	2
	Front Panel	
	Bottom Panel	
	Left Side Panel	
	Back Panel	
	Additional Package Contents	
3	SSD Installation and Dock Connection Steps	6
4	SSD Formatting and Booting Information	9
	How to Format an Installed SSD	
	Booting From an Installed SSD	
	Achieving the Best SSD Performance With Your Windows Computer	
5	Audio Jacks and Ethernet Port Configuration Information	10
	Enabling the Combo Audio Jack—macOS	
	Enabling the Analog Audio Line Out Jacks—macOS	
	Enabling the Microphone Jack—macOS	
	10 Gigabit Ethernet Port Configuration Information—macOS and Windows	
6	Tips, General Information, and Known Issues	11
	Tips, General Information	
	Known Issues	
7	Precautions, Compliance, and Support Information	13
	Safety Precautions	
	FCC Compliance	
	EU Compliance	
	Japan VCCI Compliance	
	Contacting Customer Service	

1 – Compatibility Information



Compatibility

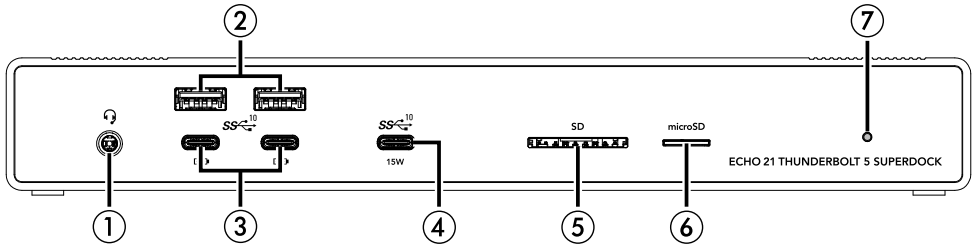
For the latest computer, tablet, and operating system compatibility information, refer to the Echo 21 Thunderbolt 5 SuperDock product page: www.sonnettech.com/product/echo21-thunderbolt5-superdock

Ethernet Driver Information

For Mac, Chromebook, and iPad Pro users, the drivers required to support this product are installed as part of supported operating systems; the Sonnet dock is ready for use when you power on your computer.

For Windows users, please go to www.sonnettech.com/support/kb/kb.php. Navigate to and click the Echo 21 Thunderbolt 5 SuperDock link, and then click the Driver link. Locate, download, and install the Windows drivers.

2 – Echo 21 Thunderbolt 5 SuperDock Description



Front Panel

1 – Combo Audio Jack

Connect headphones or a headset.

2 – USB 3.2 Gen 2 (10 Gbps) Type A Ports

Connect USB devices to these ports.

3 – USB 3.2 Gen 2 (10 Gbps) Type-C 7.5W Charging Ports

Connect USB devices to these ports. These ports are USB Type-C Charging-compliant; you may charge iOS devices – and other devices that charge via USB – connected to these ports. These ports provide up to 7.5W of power each.

4 – USB 3.2 Gen 2 (10 Gbps) Type-C 15W Charging Port

Connect a USB device to this port. This port is USB Type-C Charging-compliant; you may charge iOS devices – and other devices that charge via USB – connected to these ports. This port provides up to 15W of power.

5 – SD Card Slot

This supports SD, SDHC, and SDXC memory cards. Insert cards label-side up. Push the card in and then pull it to remove it.

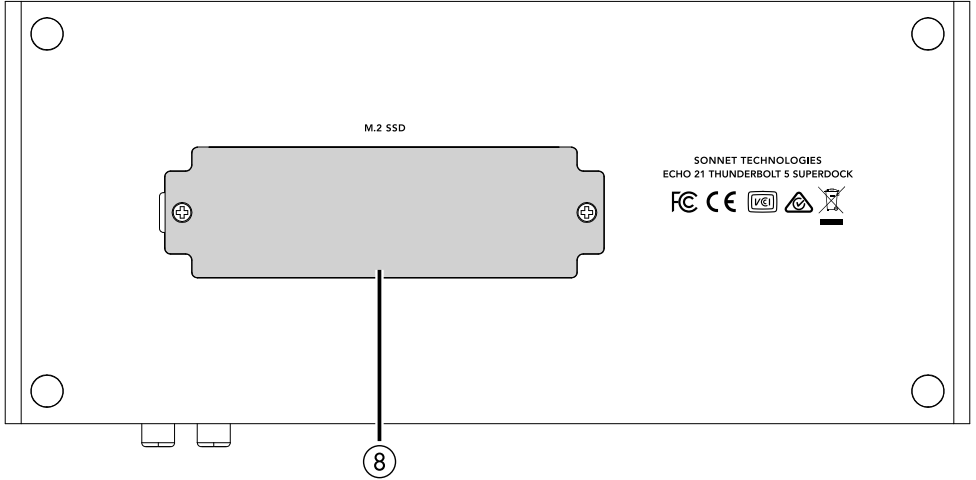
6 – microSD Card Slot

This supports microSD, microSDHC and microSDXC cards. Insert cards label-side up. Pull the card out to remove it.

7 – Power Indicator LED

This lights when the Echo dock is powered, the Thunderbolt cable between the dock and your computer is plugged in securely, and the computer powered on.

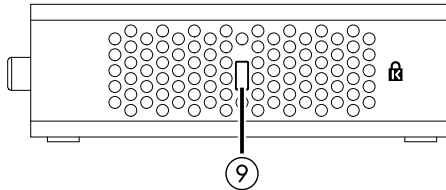
2 – Echo 21 Thunderbolt 5 SuperDock Description



Bottom Panel

8 – SSD Cover Plate

Remove this plate to install an M.2 NVMe 2280 PCIe SSD; instructions follow.

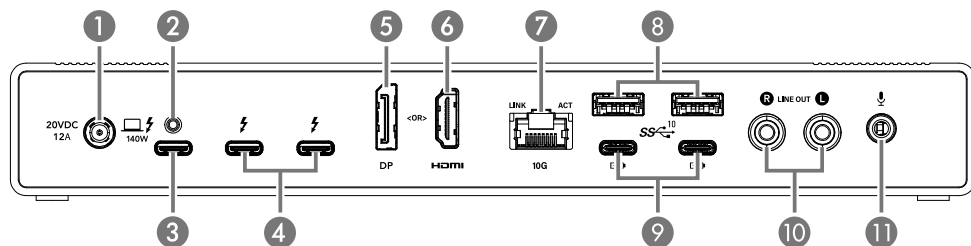


Left Side Panel

9 – Kensington Lock Slot

When used with a Kensington Lock (sold separately), this can provide added security for the Echo dock. Also compatible with Kensington MicroSaver and MicroSaver 2 locks.

2 – Echo 21 Thunderbolt 5 SuperDock Description



Back Panel

1 – 20VDC 12A Socket

Connect the included DC power adapter between this and the included power cord.

2 – Threaded Nut for ThunderLok™

Attach the included Thunderbolt connector lock here.

3 – Computer/Charging Port

Connect your computer or iPad to this port using the included Thunderbolt cable. For laptop computers and iPad Pro, this port delivers up to 140W of charging power.

4 – Thunderbolt Peripheral Ports

Connect Thunderbolt or USB peripheral devices (including monitors) to these ports using appropriate cables or adapters. These ports provide up to 15W of downstream power to connected bus-powered devices.

5 – Video Output (DP)

Connect a DisplayPort display to this port. Note that you may only use this port or the Video Out (HDMI) port at a time.

6 – Video Output (HDMI)

Connect an HDMI display to this port. Note that you may only use this port or the Video Out (HDMI) port at a time.

7 – 10 Gigabit Ethernet Port

Supports 10, 5, 2.5 and 1 Gbps link speeds. Connect to a switch/router using an unshielded twisted pair (UTP) cable with RJ45 connectors; use Cat 6 or better for 10GbE, or Cat 5e or better for 5GbE or slower links. The left LED lights up green to indicate a 10GbE link or yellow for 5GbE or slower link, while the right LED flashes yellow to indicate network activity.

8 – USB 3.2 Gen 2 (10 Gbps) Type A Ports

Connect USB devices to these ports.

9 – USB 3.2 Gen 2 (10 Gbps) Type-C Charging Ports

Connect USB devices to these ports. These ports are USB Type-C Charging-compliant and can charge devices that charge via USB.

10 – Analog Audio Line Out Jacks

Connect stereo RCA cables (not included) between these jacks and the line in jacks of a preamplifier, integrated amplifier, receiver, powered speakers, or audio interface. Be sure to connect red and white cable connectors to red and white connectors, respectively, on the dock and end device.

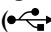

11 – Microphone Jack

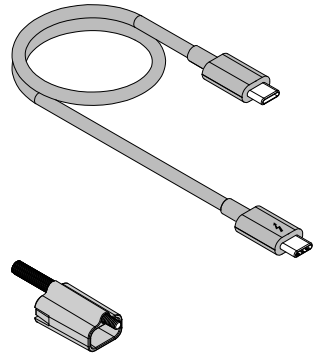
Connect a mono microphone to this port.

2 – Echo 21 Thunderbolt 5 SuperDock Description

Additional Package Contents

Thunderbolt 5 Cable

Connect this cable between the Echo dock and one of your computer's Thunderbolt ports (often indicated by a \mathcal{T} logo) or USB4 port, or other Thunderbolt peripheral device in the chain connected to the computer. Connecting the dock to a computer port marked with the generic USB icon () or USB Charging Port icon () is NOT supported.



ThunderLok-A Thunderbolt Connector Lock

This lock secures the Thunderbolt connector plugged into the Echo dock's Computer/Charging Port to prevent accidental cable disconnection.

Power Adapter (Not Shown)

Connect this to the Echo dock's 20VDC 12A socket.

Power Cord (Not Shown)

Connect this between a power outlet and the power adapter.

3 – SSD Installation and Dock Connection Steps

SSD Installation Steps and Dock Connection

Steps 1–8 are optional. If you are *not* installing an SSD, skip to the Support Note at the bottom of the next page.



Support Note: To avoid damaging components due to static electricity discharge, wear an antistatic wrist strap while working inside the Echo dock.

1. Turn the dock upside down. Using a #1 Phillips screwdriver, remove the two screws securing the SSD Cover Plate to the bottom of the dock as shown (Figure 1). Set aside the plate and screws.
2. Remove the screw from the standoff inside the dock as shown (Figure 1).
3. Handling it by its edges, remove your SSD from its packaging.
4. Fully insert the SSD at an angle into the SSD socket (Figure 2).



WARNING: When handling computer products, take care to prevent components from being damaged by static electricity; avoid working in carpeted areas. Handle SSDs only by their edges and avoid touching connector traces and component pins. Also, avoid touching the Echo dock's circuit board and any of its components.

5. Using the screw you removed previously, secure the SSD to the standoff; do not overtighten the screw (Figure 3).

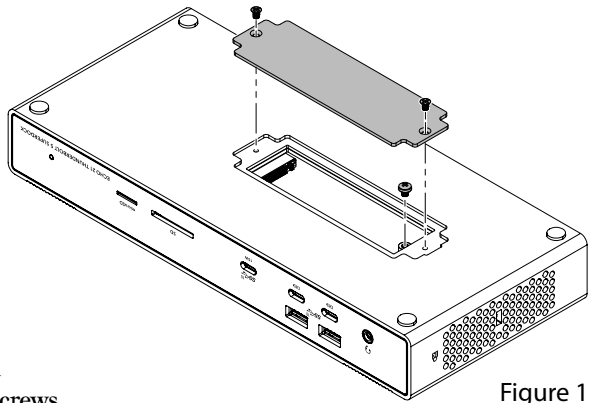


Figure 1

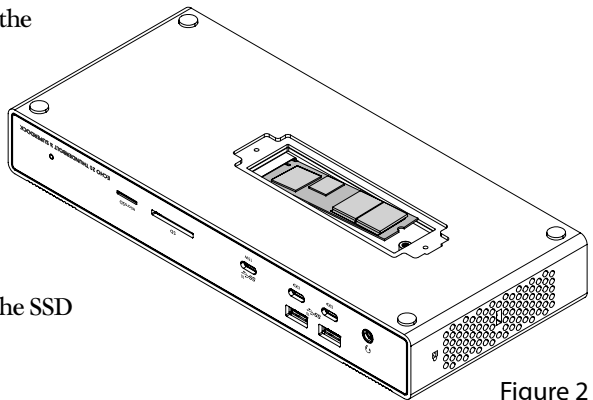


Figure 2

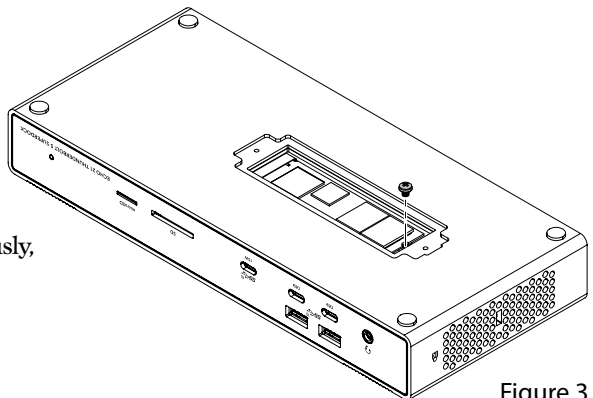


Figure 3

3 – SSD Installation and Dock Connection Steps

6. Remove the plastic sheet covering the thermal transfer pad attached to the bottom of the SSD cover plate as shown (Figure 4).

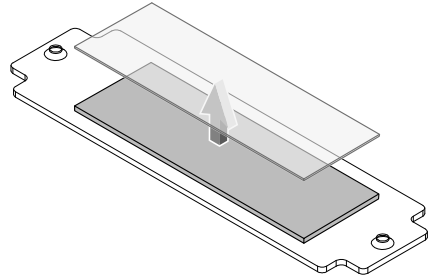


Figure 4

7. Place the SSD Cover Plate back on the bottom of the dock with its thermal transfer pad face-down, and then rub the surface of the plate back and forth to ensure the pad makes good contact with the SSD (Figure 5).

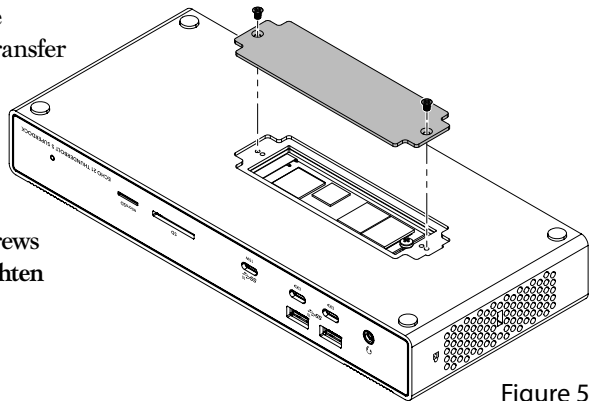


Figure 5

8. Secure the cover plate using the two screws you removed previously; **do not overtighten the screws** (Figure 5).



Support Note: The Sonnet ThunderLok Thunderbolt connector lock secures the included Thunderbolt cable to the Echo dock to prevent accidental disconnects. To attach the lock to the cable, remove both items from their packaging, and then insert the connector through the connector lock as shown (Figure 6). Note that the connector will pass all the way through the lock; when you connect the cable to the dock, the lock will secure the connector.

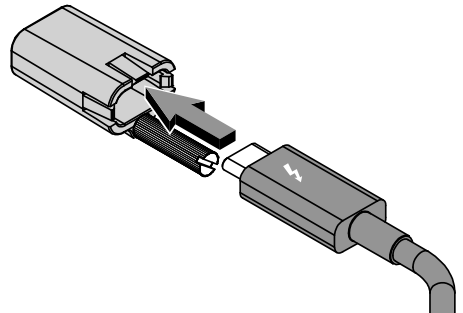


Figure 6

3 – SSD Installation and Dock Connection Steps

9. Connect the included Thunderbolt cable (or other certified Thunderbolt 5 cable) between the Echo dock's Computer/Charging port and a Thunderbolt or USB4 port on your computer or iPad Pro (Figure 7). Note that cables and computer ports marked with a generic USB icon (🔌) or USB Charging Port icon (🔌) are NOT compatible. Secure the retainer lock to the dock if you attached it.

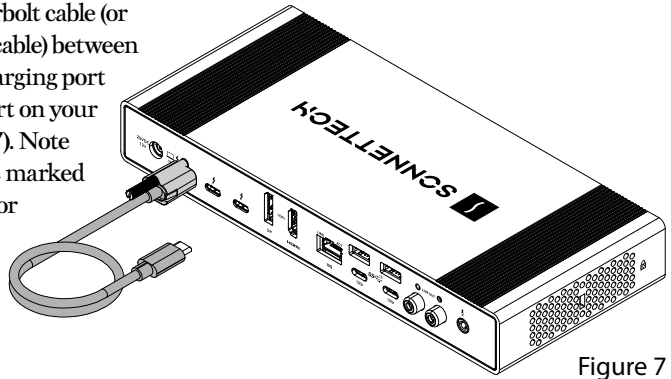


Figure 7

10. Connect the included power cord between a wall outlet or power strip and the power adapter; verify the connectors are plugged in securely.
11. Connect the power adapter cable to the dock's 20VDC 12A socket. Note that the power indicator on the Echo dock will not light until the computer, and any other Thunderbolt device connected between it and the Echo dock, is powered on.

4 – SSD Formatting and Booting Information

How to Format an Installed SSD

macOS:

Use Disk Utility (found in the Utilities folder within the Applications folder) to format an installed SSD.

Windows:

Use either Windows Disk Management or Storage Spaces to format an installed SSD.

Booting From an Installed SSD

macOS:

The Echo dock supports booting your Mac from an installed SSD. Please note that in some cases it may be necessary for you to hold the *option* key during a start, and then select the startup disk installed in the Sonnet dock.

Windows:

The Echo dock supports booting from an installed SSD *only* when used with Windows computers with UEFI BIOS.

Achieving the Best SSD Performance With Your Windows Computer

The performance of the SSD you install into the Echo dock depends on factors like your computer's CPU and OS version, and the SSD's format, transfer size, and disk removal policy settings. By default, Windows 11 uses "Quick Removal," which lets you disconnect the dock without selecting "Safely Remove Hardware," but it disables write caching, resulting in much slower SSD write performance.

You may change the disk removal policy to "Better Performance", enabling write caching for better performance. Note that *you must always select Safely Remove Hardware before disconnecting the Echo dock while the computer is on*. Otherwise, the SSD may experience data loss or corruption.

To Change the Disk Removal Policy to Improve SSD Performance, Follow the Steps Below:

1. Right-click Start, and then select File Explorer.
2. In the *File Explorer* window, identify the drive letter associated with the Echo dock's SSD.
3. Right-click Start, and then select Disk Management.
4. In the *Disk Management* window, locate and right-click the label for the dock's SSD, and then select Properties.
5. In the Properties window, click Policies, select Better performance under Removal Policy, and then click OK.

5 – Audio Jacks and Ethernet Port Configuration Information

Enabling the Combo Audio Jack—macOS

1. Connect headphones or a headset to the Combo Audio Jack.
2. From the Apple menu, select System Settings.
3. In the *System Settings* sidebar, click Sound. In the *Sound* setting window, click Output, and then select Dock Headset. If you wish to enable the audio input through the Combo Audio Jack, click Input, and then select Dock Headset.

Enabling the Analog Audio Line Out Jacks—macOS

1. Connect RCA cables between the Line Out jacks and the line in jacks of a preamplifier, integrated amplifier, receiver, powered speakers, or audio interface.
2. From the Apple menu, select System Preferences.
3. In the *System Preferences* window, click Sound. In the *Sound* preference window, click the Output tab, and then select Dock RCA Line Out.

Enabling the Microphone Jack—macOS

1. Connect an analog microphone to the Microphone jack.
2. From the Apple menu, select System Settings.
3. In the *System Settings* window, click Sound. In the *Sound* settings window, click Input, and then select Dock Microphone.

10 Gigabit Ethernet Port Configuration Information—macOS and Windows

With the Echo dock connected to your computer and network infrastructure, configure the dock's network settings.

- *Mac Users:* Use System Settings' Network preferences panel. The dock's Ethernet port will be identified as Thunderbolt Ethernet Slot x.



Support Note: For additional info on improving 10GbE throughput under macOS, visit the Echo 21 Thunderbolt 5 SuperDock support page.

1. Go to www.sonnettech.com/support/kb/kb.php
2. Navigate to and click the Echo 21 Thunderbolt 5 SuperDock link, and then click the FAQ link.
3. Click the link for article ID 1286.

- *Windows Users:* Use Windows Device Manager, Network Adapters category. The dock's Ethernet port will be identified as Marvell AQtion 10Gbit Network Adapter.

6 – Tips, General Information, and Known Issues

TIPS, GENERAL INFORMATION

There's No Need to Unplug the Power Adapter

Because the Echo dock automatically powers on and off with the computer to which it's connected, there's no power switch, nor is there any need to disconnect the power cable under normal use.

Power Indicator LED Operation

The dock's power indicator only lights when the computer to which it's connected is on, and turns off when the computer is sleeping or powered off.

Hot-Plugging the Echo Dock

You may connect and disconnect the dock while the computer is on. If you have an SSD installed or an SD card inserted in the dock, or have anything connected such as a storage device, camera, etc., follow proper procedures for ejecting (unmounting) those devices before unplugging the dock from the computer.

Using the Echo Dock to Charge Your Computer or iPad Pro

- Laptop computers and iPad Pro tablets may be charged via the Echo dock's Computer/Charging port (Power Delivery charging), which provides up to 140W of power.
- Windows laptops including AC power adapters rated at greater than 140W may display a Power Manager alert when the dock (but not the computer's power adapter) is initially connected to the computer. This is normal.

Using the Echo Dock to Charge Your Computer or iPad Pro (continued)

- Laptops with AC power adapters rated greater than 140W will accept up to 140W power from the dock, but may slowly discharge; connecting bus-powered storage to a laptop will draw additional power that may affect the charging (discharging) rate. When sleeping, any connected computer that supports Thunderbolt charging will be charged to 100%.

The Echo Dock Provides Downstream Power

For connected peripheral devices requiring extra power, the Echo dock provides up to 15W to bus-powered devices through its Thunderbolt peripheral ports, enabling them to operate without connecting an additional power adapter. Except for the USB 3.2 Gen 2 (10 Gbps) Type-C 15W Charging Port, the USB 3.2 Gen 2 (10 Gbps) Type-C Ports provide up to 7.5W each.

Connecting Additional Thunderbolt 5, 4, or 3 Peripheral Devices

The dock includes two Thunderbolt peripheral ports. They support connection of up to four additional Thunderbolt peripheral devices through daisy-chain connection.

6 – Tips, General Information, and Known Issues

TIPS, GENERAL INFORMATION

10 Gbps Ethernet Link Speed Support Requirements

The Echo 21 dock supports the 10 Gbps Ethernet link speed when used with a 10 Gbps compatible switch, router, or other device and connected via Cat 6 (or better) cabling.

5 Gbps, 2.5 Gbps and 1 Gbps Ethernet Link Speeds Support Requirements

The Echo dock only supports 5 Gbps and 2.5 Gbps Ethernet link speeds when used with NBASE-T compatible (multi-Gigabit) switches, routers, and other devices and connected via Cat 5e (or better) cabling. Multi-Gigabit-compatible equipment is not required for 1 Gbps and lower link speed support.

Display Support

Although this dock supports the connection of up to three displays (two through the Thunderbolt peripheral ports, plus one through either the Video Output (HDMI) or Video Output (DP) port, the number of displays supported (as well as specific resolutions and standards supported) is dependent on the connected computer, its GPU, and its OS software. *Note that when used with an M1 or M2 MacBook Air, MacBook Pro, or Mac mini with two Thunderbolt/USB4 ports, only one display can be connected to the dock.*

KNOWN ISSUES

Not All Thunderbolt Cables Deliver Full Performance

When used with a computer with Thunderbolt 5 ports, full performance from the Echo 21 dock requires the use of the included (or other certified) Thunderbolt 5 cable.

Operating System (OS) Updates May Break Compatibility

Specific device drivers that work under one OS version may not work under a later version. Before updating your computer to the latest OS, we recommend that you contact your Sonnet to verify that the existing drivers work. Note that other computer software updates may also break compatibility.

Some Devices' Performance May be Affected by Where They Are Connected in a Thunderbolt Chain

However small, Thunderbolt introduces latency to a device chain. If you connect additional Thunderbolt devices to the dock, you may need to experiment with ones work better closer to or farther from the computer in the chain.

7 – Precautions, Compliance, and Support Information

SAFETY PRECAUTIONS

These precautions explain the correct and safe use of this device, thereby helping to prevent injury to you or others, and also help you to minimize the risk of damaging the device.

General Usage

- **Use Only Provided Power Adapter**
Use only the Sonnet-provided power supply to prevent overheating or electrical damage.
- **Keep Away from Liquids**
Avoid exposing the dock to water, moisture, or extreme humidity to prevent short circuits or electrical hazards.
- **Do Not Block Ventilation**
This dock has cooling vents; ensure proper airflow to prevent overheating.
- **Handle Cables with Care**
Do not force cables into ports; align connectors properly before inserting to avoid damage.

Power and Electrical Safety

- **Disconnect During Storms**
Unplug the dock during electrical storms to prevent damage from power surges.
- **Protection Recommended**
Use a surge protector or UPS (Uninterruptible Power Supply) to safeguard against sudden voltage spikes.

Physical Safety & Placement

- **Avoid Extreme Temperatures**
Do not place on or near heat sources (e.g., radiators) or in direct sunlight.
- **Do Not Disassemble**
Except for SSD installation, opening the dock may expose internal components and void the warranty.

FCC Compliance

Echo 21 Thunderbolt 5 SuperDock complies with Part 15 of the FCC Rules. Operation is subject to the following two conditions: This device may not cause harmful interference, AND this device must accept any interference received, including interference that may cause undesired operation.

EU Compliance

Sonnet Technologies, Inc. hereby declares that this device is in compliance with Directive 2014/53/EU.

Japan VCCI Compliance

この装置は、クラスB情報技術装置です。この装置は、家庭環境で使用することを目的としていますが、この装置がラジオやテレビジョン受信機に近接して使用されると、受信障害を引き起こすことがあります。取扱説明書に従って正しい取り扱いをしてください。VCCI-B

7 – Precautions, Compliance, and Support Information

Contacting Customer Service

Before contacting Customer Service, please check the Sonnet Web site (www.sonnettech.com) for the latest updates and files. When you contact Customer Service, please have the following information available:

- Product name
- Date and place of purchase
- Computer model
- Operating system version
- Software/firmware versions
- A System Report (macOS) or a Microsoft System Information MSINFO32 (Windows) report (Windows), along with a description of the issue(s) you are encountering with your device

If further assistance is needed, please visit:

<https://www.sonnettech.com/support/contact/support-form.html>

Japan Customers

Contact Sonnet Customer Service Japan at:

E-mail: jp.support@sonnettech.com

Guide de l'utilisateur pour l'Echo 21 Thunderbolt 5 SuperDock



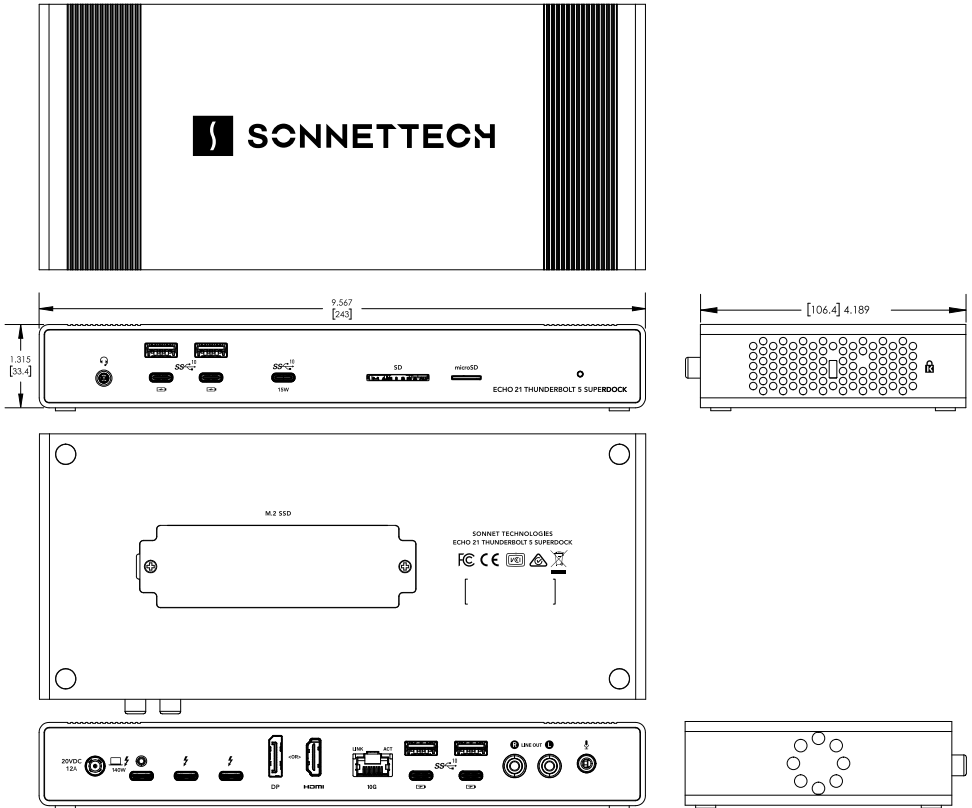
Note de support : Ce document était à jour au moment de l'impression. Toutefois, des modifications au matériel ou au logiciel peuvent avoir eu lieu depuis. Veuillez consulter le site Web de Sonnet pour obtenir la documentation la plus récente.

1. Allez à l'adresse : <https://www.sonnettech.com/support/kb/kb.php>
2. Repérez et cliquez sur le lien Echo 21 Thunderbolt 5 SuperDock.
3. Cliquez sur le lien Manual.
4. Cliquez sur le lien Echo 21 Thunderbolt 5 SuperDock User's Guide [English/French], puis vérifiez l'information concernant la version du document. Si la version indiquée est plus récente que ce document (**révision C**), cliquez sur le bouton Download Now pour télécharger la version la plus récente.

Contents

1	Renseignements sur la compatibilité	1
	Compatibilité	
	Renseignements sur le pilote Ethernet	
2	Description de l’Echo 21 Thunderbolt 5 SuperDock	2
	Panneau avant	
	Panneau inférieur	
	Panneau latéral gauche	
	Panneau arrière	
	Contenu supplémentaire de l’emballage	
3	Installation du SSD et étapes de connexion de la station d’accueil	6
4	Formatage et démarrage du SSD	9
	Comment formater un SSD installé	
	Démarrage à partir d’un SSD installé	
	Obtenir les meilleures performances du SSD avec votre ordinateur Windows	
5	Renseignements sur la configuration des prises audio et du port Ethernet	10
	Activation de la prise audio combinée – macOS	
	Activation des prises de sortie audio analogiques – macOS	
	Activation de la prise microphone – macOS	
	Renseignements sur la configuration du port Ethernet 10 gigabits – macOS et Windows	
6	Conseils, renseignements généraux et problèmes connus	11
	Conseils et renseignements généraux	
	Problèmes connus	
7	Précautions, conformité et renseignements sur le soutien	13
	Précautions de sécurité	
	Conformité FCC	
	Conformité UE	
	Conformité VCCI du Japon	
	Contactez le service à la clientèle	

1 : Renseignements sur la compatibilité



Compatibilité

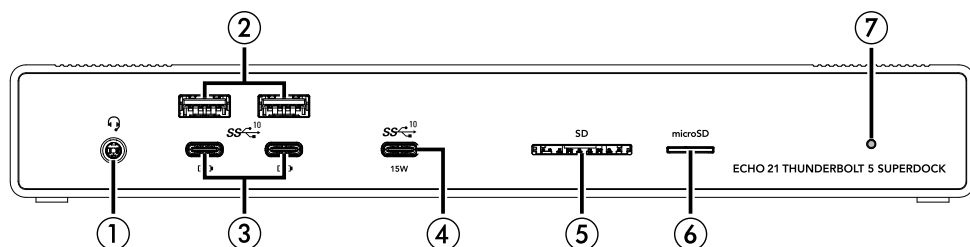
Pour obtenir les plus récents renseignements sur la compatibilité des ordinateurs, tablettes et systèmes d'exploitation, consultez la page produit de l'Echo 21 Thunderbolt 5 SuperDock : www.sonnettech.com/product/echo21-thunderbolt5-superdock

Renseignements sur le pilote Ethernet

Pour les utilisateurs de Mac, Chromebook et iPad Pro, les pilotes nécessaires à la prise en charge de ce produit sont installés dans le cadre des systèmes d'exploitation pris en charge ; la station d'accueil Sonnet est prête à l'emploi dès la mise sous tension de l'ordinateur.

Pour les utilisateurs de Windows, veuillez visiter : www.sonnettech.com/support/kb/kb.php. Repérez et cliquez sur le lien Echo 21 Thunderbolt 5 SuperDock, puis cliquez sur le lien Pilote. Trouvez, téléchargez et installez les pilotes Windows.

2 : Description de l'Echo 21 Thunderbolt 5 SuperDock



Panneau avant

1 – Prise audio combinée

Branchez des écouteurs ou un casque d'écoute.

2 – Ports USB 3.2 Gen 2 (10 Gbit/s) Type A

Branchez des périphériques USB à ces ports.

3 – Ports USB 3.2 Gen 2 (10 Gbit/s) Type-C avec recharge de 7,5 W

Branchez des périphériques USB à ces ports. Ces ports sont conformes à la norme de recharge USB Type-C ; vous pouvez y recharger des appareils iOS — ainsi que d'autres appareils qui se rechargent par USB. Chaque port fournit jusqu'à 7,5 W de puissance.

4 – Port USB 3.2 Gen 2 (10 Gbit/s) Type-C avec recharge de 15 W

Branchez un périphérique USB à ce port. Ce port est conforme à la norme de recharge USB Type-C ; vous pouvez y recharger des appareils iOS — ainsi que d'autres appareils qui se rechargent par USB. Ce port fournit jusqu'à 15 W de puissance.

5 – Fente pour carte SD

Prend en charge les cartes mémoire SD, SDHC et SDXC. Insérez les cartes côté étiquette vers le haut. Poussez la carte pour l'insérer et tirez-la pour l'enlever.

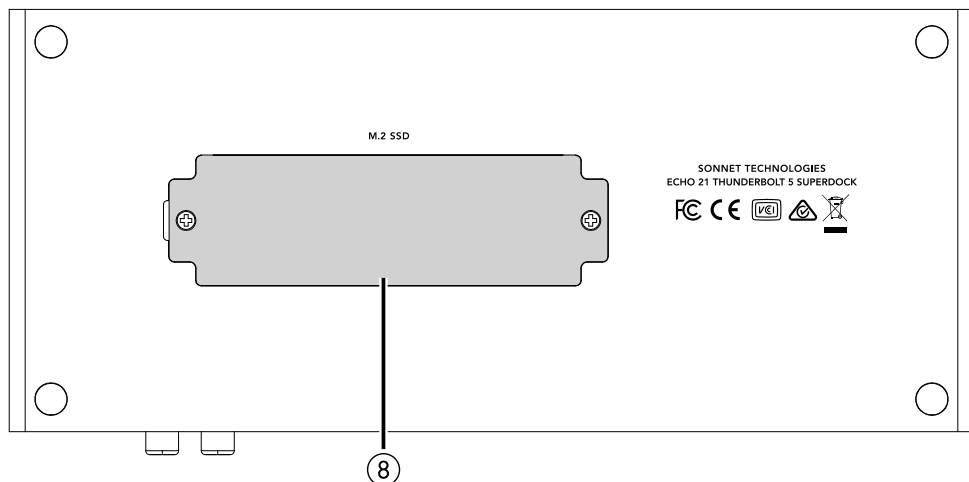
6 – Fente pour carte microSD

Prend en charge les cartes microSD, microSDHC et microSDXC. Insérez les cartes côté étiquette vers le haut. Tirez sur la carte pour l'enlever.

7 – LED indicatrice d'alimentation

S'allume lorsque la station d'accueil Echo est alimentée, que le câble Thunderbolt entre la station et votre ordinateur est branché correctement et que l'ordinateur est sous tension.

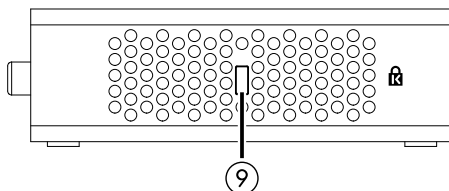
2 : Description de l'Echo 21 Thunderbolt 5 SuperDock



Panneau inférieur

8 – Plaque de recouvrement du SSD

Retirez cette plaque pour installer un SSD M.2 NVMe 2280 PCIe ; les instructions suivent.

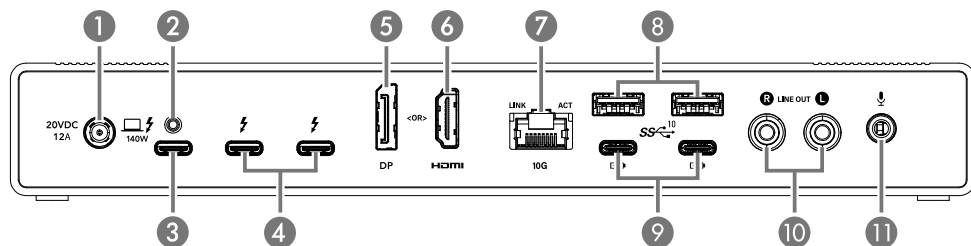


Panneau latéral gauche

9 – Fente de verrouillage Kensington

Utilisée avec un verrou Kensington (vendu séparément), elle peut offrir une sécurité supplémentaire pour la station d'accueil Echo. Également compatible avec les verrous Kensington MicroSaver et MicroSaver 2.

2 : Description de l'Echo 21 Thunderbolt 5 SuperDock



Panneau arrière

1 – Prise 20 VCC 12 A

Branchez l'adaptateur secteur CC inclus entre cette prise et le cordon d'alimentation fourni.

2 – Écrou fileté pour ThunderLok™

Fixez ici le verrou du connecteur Thunderbolt inclus.

3 – Port ordinateur/recharge

Branchez votre ordinateur ou iPad à ce port à l'aide du câble Thunderbolt inclus. Pour les ordinateurs portatifs (et l'iPad Pro), ce port fournit jusqu'à 140 W de puissance de recharge.

4 – Ports périphériques Thunderbolt

Branchez des périphériques Thunderbolt ou USB (y compris des moniteurs) à ces ports à l'aide de câbles ou adaptateurs appropriés. Ces ports fournissent jusqu'à 15 W de puissance descendante aux périphériques alimentés par le bus.

5 – Sortie vidéo (DP)

Branchez un écran DisplayPort à ce port. Remarque : vous ne pouvez utiliser que ce port ou le port de sortie vidéo (HDMI) à la fois.

6 – Sortie vidéo (HDMI)

Branchez un écran HDMI à ce port. Remarque : vous ne pouvez utiliser que ce port ou le port de sortie vidéo (DP) à la fois.

7 – Port Ethernet 10 Gigabits

Prend en charge des vitesses de liaison de 10, 5, 2,5 et 1 Gbit/s. Connectez-le à un commutateur/routeur à l'aide d'un câble à paires torsadées non blindées (UTP) avec des connecteurs RJ45 ; utilisez un câble Cat 6 ou supérieur pour le 10GbE, ou Cat 5e ou supérieur pour le 5GbE ou des liaisons plus lentes. La LED gauche s'allume en vert pour indiquer une liaison 10GbE ou en jaune pour une liaison 5GbE ou plus lente, tandis que la LED droite clignote en jaune pour indiquer une activité réseau.

8 – Ports USB 3.2 Gen 2 (10 Gbit/s) Type A

Branchez des périphériques USB à ces ports.

9 – Ports USB 3.2 Gen 2 (10 Gbit/s) Type-C avec recharge

Branchez des périphériques USB à ces ports. Ces ports sont conformes à la norme de recharge USB Type-C et peuvent recharger les appareils qui se chargent par USB.

2 : Description de l’Echo 21 Thunderbolt 5 SuperDock

10 – Prises de sortie audio analogiques

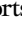


Branchez des câbles RCA stéréo (non inclus) entre ces prises et les prises d’entrée ligne d’un préamplificateur, amplificateur intégré, récepteur, haut-parleurs amplifiés ou interface audio. Assurez-vous de brancher les connecteurs de câble rouge et blanc aux connecteurs rouges et blancs respectivement, sur la station d’accueil et l’appareil de destination.

11 – Prise microphone

Branchez un microphone mono à ce connecteur.

Contenu supplémentaire de l’emballage

Câble Thunderbolt 5

Branchez ce câble entre la station d’accueil Echo et un des ports Thunderbolt de votre ordinateur (souvent indiqué par un logo ) un port USB4, ou encore un autre périphérique Thunderbolt en chaîne connecté à l’ordinateur. Le branchement de la station d’accueil à un port d’ordinateur marqué du logo USB générique () du logo de port de recharge USB () n’est PAS pris en charge.

Verrou de connecteur Thunderbolt ThunderLok-A

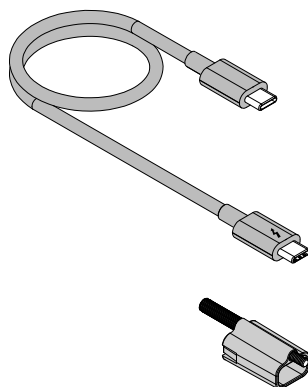
Ce verrou sécurise le connecteur Thunderbolt branché au port Ordinateur/Charge de la station d’accueil Echo afin d’éviter toute déconnexion accidentelle du câble.

Adaptateur secteur (non illustré)

Branchez cet adaptateur à la prise 20 VCC 12 A de la station d’accueil Echo.

Cordon d’alimentation (non illustré)

Branchez ce cordon entre une prise de courant et l’adaptateur secteur.



3 : Installation du SSD et étapes de connexion de la station d'accueil

Étapes d'installation du SSD et connexion de la station d'accueil

Les étapes 1 à 8 sont facultatives. Si vous n'installez pas de SSD, passez à la note de support au bas de la page suivante.



Note de support :

Pour éviter d'endommager les composants en raison de décharges d'électricité statique, portez un bracelet antistatique lorsque vous travaillez à l'intérieur de la station d'accueil Echo.

1. Placez la station d'accueil à l'envers. À l'aide d'un tournevis Phillips n° 1, retirez les deux vis qui fixent la plaque de recouvrement du SSD au bas de la station, comme illustré (Figure 1). Mettez la plaque et les vis de côté.
2. Retirez la vis de l'entretoise à l'intérieur de la station, comme illustré (Figure 1).
3. En le tenant par les bords, sortez votre SSD de son emballage.
4. Insérez complètement le SSD en angle dans la prise du SSD (Figure 2).



AVERTISSEMENT :

Lorsque vous manipulez des produits informatiques, prenez soin d'éviter que les composants soient endommagés par l'électricité statique ; évitez de travailler dans des zones recouvertes de tapis. Manipulez les SSD uniquement par leurs bords et évitez de toucher les circuits de connexion et les broches des composants. Évitez également de toucher le circuit imprimé de la station d'accueil Echo et ses composants

5. À l'aide de la vis retirée précédemment, fixez le SSD à l'entretoise ; ne serrez pas la vis excessivement (Figure 3).

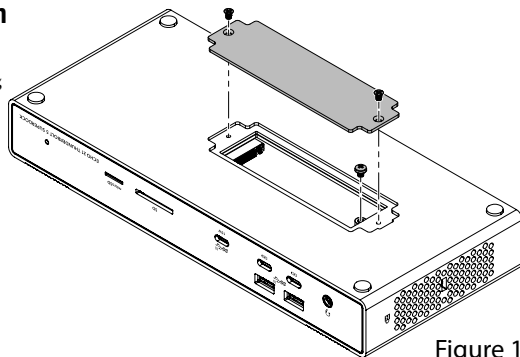


Figure 1

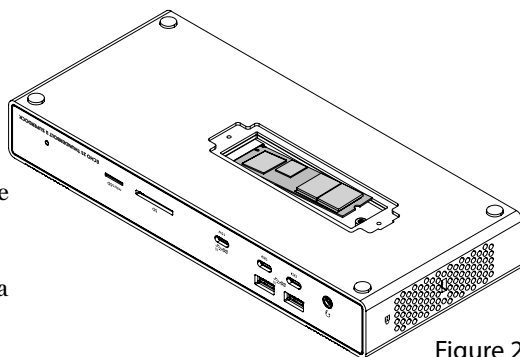


Figure 2

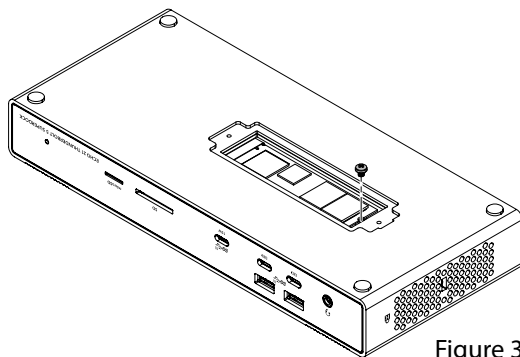


Figure 3

3 : Installation du SSD et étapes de connexion de la station d'accueil

6. Retirez la pellicule de plastique recouvrant le tampon de transfert thermique fixé au bas de la plaque de recouvrement du SSD, comme illustré (Figure 4).

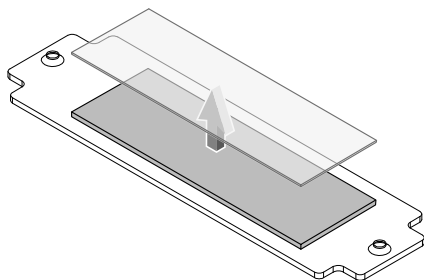


Figure 4

7. Remplacez la plaque de recouvrement du SSD sous la station d'accueil, le tampon de transfert thermique vers le bas, puis frottez la surface de la plaque d'avant en arrière afin de vous assurer que le tampon est bien en contact avec le SSD (Figure 5).

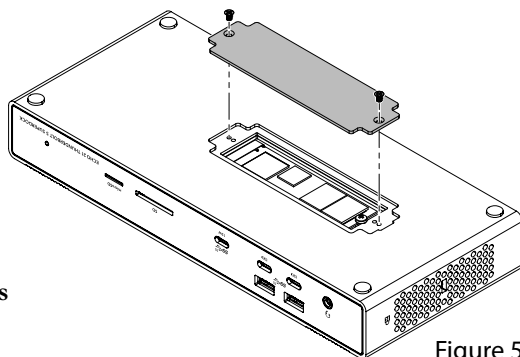


Figure 5

8. Fixez la plaque de recouvrement à l'aide des deux vis retirées précédemment ; ne serrez pas les vis excessivement (Figure 5).



Note de support : Le verrou de connecteur Thunderbolt Sonnet ThunderLok sécurise le câble Thunderbolt inclus à la station d'accueil Echo afin d'éviter toute déconnexion accidentelle. Pour fixer le verrou au câble, retirez les deux éléments de leur emballage, puis insérez le connecteur dans le verrou comme illustré (Figure 6). Notez que le connecteur traverse complètement le verrou ; lorsque vous branchez le câble à la station d'accueil, le verrou maintient le connecteur en place.

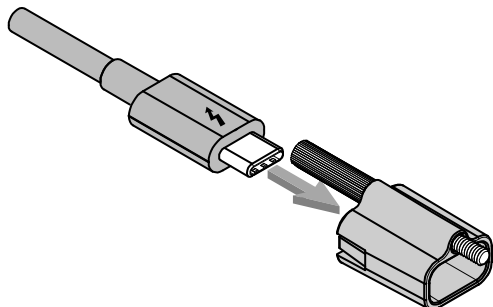


Figure 6

3 : Installation du SSD et étapes de connexion de la station d'accueil

9. Branchez le câble Thunderbolt 5 inclus (ou un autre câble Thunderbolt certifié) entre le port ordinateur/recharge de la station d'accueil Echo et un port Thunderbolt ou USB4 de votre ordinateur ou iPad Pro (Figure 7).

Remarque : les câbles et ports d'ordinateur marqués du logo USB générique (🔌) ou du logo de port de recharge USB (⚡) ne sont PAS compatibles. Fixez le verrou de retenue à la station d'accueil si vous l'avez installé.

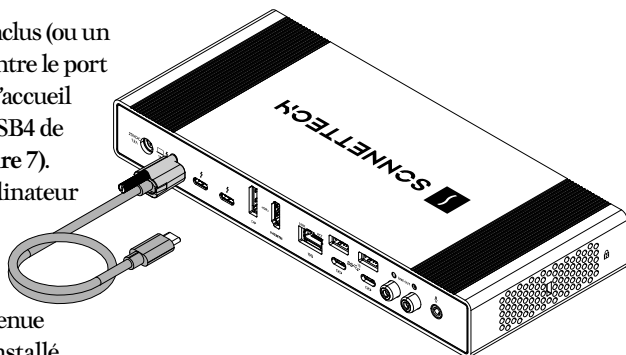


Figure 7

10. Branchez le cordon d'alimentation inclus entre une prise murale ou une barre d'alimentation et l'adaptateur secteur ; assurez-vous que les connecteurs sont bien enfoncés.

11. Branchez le câble de l'adaptateur secteur à la prise 20VDC 12A de la station d'accueil. Remarque la LED d'alimentation de la station d'accueil Echo ne s'allumera que lorsque l'ordinateur – et tout autre périphérique Thunderbolt branché entre celui-ci et la station d'accueil Echo – sera sous tension.

4 : Formatage et démarrage du SSD

Comment formater un SSD installé

macOS :

Utilisez l'Utilitaire de disque (situé dans le dossier Utilitaires du dossier Applications) pour formater un SSD installé.

Windows :

Utilisez soit la Gestion des disques de Windows, soit Espaces de stockage pour formater un SSD installé.

Démarrage à partir d'un SSD installé

macOS :

La station d'accueil Echo prend en charge le démarrage de votre Mac à partir d'un SSD installé. Veuillez noter que, dans certains cas, il peut être nécessaire d'appuyer sur la touche option lors du démarrage, puis de sélectionner le disque de démarrage installé dans la station d'accueil Sonnet.

Windows :

La station d'accueil Echo prend en charge le démarrage à partir d'un SSD installé uniquement lorsqu'elle est utilisée avec des ordinateurs Windows dotés d'un BIOS UEFI.

Obtenir les meilleures performances SSD avec votre ordinateur Windows

Les performances du SSD que vous installez dans la station d'accueil Echo dépendent de facteurs tels que le processeur et la version du système d'exploitation de votre ordinateur, ainsi que du format du SSD, de la taille des transferts et des paramètres de stratégie de retrait du disque. Par défaut, Windows 11 utilise la fonction Retrait rapide, qui permet de débrancher la station sans sélectionner Retirer le périphérique en toute sécurité, mais qui désactive la mise en cache en écriture, ce qui entraîne des

performances d'écriture SSD beaucoup plus lentes.

Vous pouvez modifier la stratégie de retrait du disque en Meilleure performance, ce qui active la mise en cache en écriture pour de meilleures performances. Remarque : *vous devez toujours sélectionner Retirer le périphérique en toute sécurité avant de débrancher la station d'accueil Echo lorsque l'ordinateur est allumé.* Autrement, le SSD pourrait subir une perte ou une corruption de données.

Pour changer la stratégie de retrait du disque afin d'améliorer les performances du SSD, suivez les étapes ci-dessous :

1. Cliquez avec le bouton droit sur Démarrer, puis sélectionnez Explorateur de fichiers.
2. Dans la fenêtre de l'Explorateur de fichiers, identifiez la lettre de lecteur associée au SSD de la station d'accueil Echo.
3. Cliquez avec le bouton droit sur Démarrer, puis sélectionnez Gestion des disques.
4. Dans la fenêtre Gestion des disques, repérez et cliquez avec le bouton droit sur l'étiquette du SSD de la station d'accueil, puis sélectionnez Propriétés.
5. Dans la fenêtre Propriétés, cliquez sur Stratégies, sélectionnez Meilleure performance sous Stratégie de retrait, puis cliquez sur OK.

5 : Renseignements sur la configuration des prises audio et du port Ethernet

Activation de la prise audio combinée : macOS

1. Branchez des écouteurs ou un casque d'écoute à la prise audio combinée.
2. Dans le menu Apple, sélectionnez Réglages du système.
3. Dans la barre latérale des Réglages du système, cliquez sur Son. Dans la fenêtre des réglages Son, cliquez sur Sortie, puis sélectionnez Dock Headset. Si vous souhaitez activer l'entrée audio par la prise audio combinée, cliquez sur Entrée, puis sélectionnez Dock Headset.

Activation des prises de sortie audio analogique : macOS

1. Branchez des câbles RCA entre les prises de sortie ligne (Line Out) et les prises d'entrée ligne d'un préamplificateur, d'un amplificateur intégré, d'un récepteur, de haut-parleurs amplifiés ou d'une interface audio.
2. Dans le menu Apple, sélectionnez Préférences système.
3. Dans la fenêtre Préférences système, cliquez sur Son. Dans la fenêtre des préférences Son, cliquez sur l'onglet Sortie, puis sélectionnez DOCK RCA Line Out.

Activation de la prise microphone : macOS

1. Branchez un microphone analogique à la prise microphone.
2. Dans le menu Apple, sélectionnez Réglages du système.
3. Dans la fenêtre Réglages du système, cliquez sur Son. Dans la fenêtre des réglages Son, cliquez sur Entrée, puis sélectionnez Dock Microphone.

Renseignements sur la configuration du port Ethernet 10 gigabits : macOS et Windows

Avec la station d'accueil Echo branchée à votre ordinateur et à votre infrastructure réseau, configurez les réglages réseau de la station.

- *Utilisateurs de Mac* : Utilisez le panneau Réseau dans les Réglages du système. Le port Ethernet de la station sera identifié comme Thunderbolt Ethernet Slot x.



Note de support :

Pour obtenir des informations supplémentaires sur l'amélioration du débit 10GbE sous macOS, consultez la page d'assistance de l'Echo 21 Thunderbolt 5 SuperDock.

1. Accédez à www.sonnettech.com/support/kb/kb.php
2. Repérez et cliquez sur le lien Echo 21 Thunderbolt 5 SuperDock, puis cliquez sur le lien FAQ.
3. Cliquez sur le lien correspondant à l'article ID 1286.

- *Utilisateurs de Windows* : Utilisez le Gestionnaire de périphériques de Windows, sous la catégorie Cartes réseau. Le port Ethernet de la station sera identifié comme Marvell AQtion 10Gbit Network Adapter.

6 : Conseils, renseignements généraux et problèmes connus

CONSEILS ET RENSEIGNEMENTS GÉNÉRAUX

Inutile de débrancher l'adaptateur secteur
Comme la station d'accueil Echo s'allume et s'éteint automatiquement avec l'ordinateur auquel elle est connectée, elle ne possède pas d'interrupteur d'alimentation et il n'est pas nécessaire de débrancher le câble d'alimentation dans des conditions normales d'utilisation.

Fonctionnement de la LED d'alimentation

La LED d'alimentation de la station ne s'allume que lorsque l'ordinateur auquel elle est connectée est allumé, et elle s'éteint lorsque l'ordinateur est en veille ou hors tension.

Branchement à chaud de la station d'accueil Echo

Vous pouvez connecter et déconnecter la station d'accueil lorsque l'ordinateur est allumé. Si un SSD est installé ou une carte SD est insérée dans la station d'accueil, ou si des périphériques sont connectés (dispositif de stockage, appareil photo, etc.), suivez les procédures appropriées pour éjecter (démonter) ces appareils avant de débrancher la station d'accueil de l'ordinateur.

Utilisation de la station d'accueil Echo pour recharger votre ordinateur ou iPad Pro

- Les ordinateurs portatifs et les tablettes iPad Pro peuvent être rechargés via le port ordinateur/recharge de la station d'accueil Echo (Power Delivery charging), qui fournit jusqu'à 140 W de puissance.
- Les ordinateurs portatifs Windows utilisant un adaptateur secteur de plus de 140 W peuvent afficher une alerte du gestionnaire d'alimentation (Power Manager) lorsque la station (mais non l'adaptateur secteur de l'ordinateur) est branchée initialement à l'ordinateur. Ceci est normal.

Utilisation de la station d'accueil Echo pour recharger votre ordinateur ou iPad Pro (suite)

- Les ordinateurs portatifs munis d'un adaptateur secteur de plus de 140 W accepteront jusqu'à 140 W de la station, mais pourraient se décharger lentement ; le branchement d'un périphérique de stockage alimenté par le bus à un portable entraînera une consommation de puissance supplémentaire qui peut influencer la vitesse de recharge (ou de décharge). En mode veille, tout ordinateur compatible avec la recharge par Thunderbolt sera rechargé à 100 %.

La station d'accueil Echo fournit de l'alimentation en aval

Pour les périphériques connectés nécessitant une alimentation supplémentaire, la station d'accueil Sonnet fournit jusqu'à 15 W aux appareils alimentés par le bus via ses ports périphériques Thunderbolt, leur permettant de fonctionner sans adaptateur secteur supplémentaire. À l'exception du port de charge USB 3.2 Gen 2 (10 Gbit/s) Type-C de 15 W, les ports USB 3.2 Gen 2 (10 Gbit/s) Type-C fournissent jusqu'à 7,5 W chacun.

Connexion de périphériques Thunderbolt 5, 4 ou 3 additionnels

La station comprend deux ports périphériques Thunderbolt. Ceux-ci prennent en charge la connexion de jusqu'à quatre périphériques Thunderbolt supplémentaires en mode chaîne (daisy-chain).

6 : Conseils, renseignements généraux et problèmes connus

CONSEILS, INFORMATIONS GÉNÉRALES

Exigences pour la prise en charge de la vitesse de liaison Ethernet 10 Gbps

La station d'accueil Echo 21 prend en charge la vitesse de liaison Ethernet 10 Gbps lorsqu'elle est utilisée avec un commutateur, un routeur ou un autre appareil compatible 10 Gbps et connectée à l'aide d'un câble Cat 6 (ou supérieur).

Exigences pour la prise en charge des vitesses de liaison Ethernet 5 Gbps, 2,5 Gbps et 1 Gbps

La station Echo prend uniquement en charge les vitesses de liaison Ethernet 5 Gbps et 2,5 Gbps lorsqu'elle est utilisée avec des commutateurs, routeurs et autres appareils compatibles NBASE-T (multi-Gigabit) et connectée à l'aide d'un câble Cat 5e (ou supérieur). Un équipement compatible multi-Gigabit n'est pas requis pour la prise en charge de vitesses de liaison de 1 Gbps ou moins.

Prise en charge des écrans

Bien que cette station d'accueil prenne en charge la connexion de jusqu'à trois écrans (deux via les ports périphériques Thunderbolt, plus un via le port HDMI ou DisplayPort et un via un port périphérique Thunderbolt), le nombre d'écrans pris en charge (ainsi que les résolutions et normes spécifiques prises en charge) dépend de l'ordinateur connecté, de son GPU et de son système d'exploitation. *Notez que lorsqu'elle est utilisée avec un MacBook Air, un MacBook Pro ou un Mac mini M1 ou M2 doté de deux ports Thunderbolt/USB4, un seul écran peut être connecté à la station.*

PROBLÈMES CONNUS

Tous les câbles Thunderbolt ne fournissent pas la pleine performance

Lorsqu'elle est utilisée avec un ordinateur doté de ports Thunderbolt 5, la station d'accueil Echo 21 offre une performance optimale uniquement avec le câble Thunderbolt 5 inclus (ou un autre câble Thunderbolt 5 certifié).

Les mises à jour du système d'exploitation (OS) peuvent nuire à la compatibilité

Certains pilotes de périphériques qui fonctionnent sous une version d'OS peuvent ne pas fonctionner sous une version plus récente. Avant de mettre à jour votre ordinateur vers la dernière version du système d'exploitation, nous vous recommandons de communiquer avec Sonnet afin de vérifier si les pilotes existants sont compatibles. Veuillez noter que d'autres mises à jour logicielles de l'ordinateur peuvent également nuire à la compatibilité.

La performance de certains périphériques peut être affectée par l'endroit où ils sont connectés dans une chaîne Thunderbolt

Même minime, la technologie Thunderbolt introduit une certaine latence dans une chaîne de périphériques. Si vous connectez des périphériques Thunderbolt supplémentaires à la station, il se peut que vous ayez à faire des essais pour déterminer lesquels fonctionnent mieux lorsqu'ils sont plus proches ou plus éloignés de l'ordinateur dans la chaîne.

7 : Précautions, conformité et renseignements sur le soutien

Précautions de sécurité

Ces précautions expliquent l'utilisation correcte et sécuritaire de cet appareil, aidant ainsi à prévenir les blessures pour vous ou pour d'autres personnes, et vous aident aussi à réduire le risque d'endommager l'appareil.

Utilisation générale

- **Utiliser seulement l'adaptateur d'alimentation fourni**

Utilisez uniquement l'alimentation fournie par Sonnet afin d'éviter la surchauffe ou des dommages électriques.

- **Tenir à l'écart des liquides**

Évitez d'exposer la station à l'eau, à l'humidité ou à une forte condensation afin de prévenir les courts-circuits ou les risques électriques.

- **Ne pas bloquer la ventilation**

Cette station est munie d'aérations de refroidissement ; assurez-vous de permettre une bonne circulation d'air pour éviter la surchauffe.

- **Manipuler les câbles avec soin**

N'insérez pas les câbles de force dans les ports ; alignez correctement les connecteurs avant de les brancher afin d'éviter tout dommage.

Sécurité électrique et alimentation

- **Débrancher pendant les orages**

Débranchez la station lors d'orages électriques pour éviter les dommages causés par les surtensions.

- **Protection recommandée**

Utilisez un parasurtenseur ou une alimentation sans coupure (UPS) afin de vous protéger contre les pointes de tension soudaines.

Sécurité physique et emplacement

- **Éviter les températures extrêmes**

Ne placez pas la station sur ou près d'une source de chaleur (p. ex. : radiateurs) ou en plein soleil.

- **Ne pas démonter**

Sauf pour l'installation d'un SSD, l'ouverture de la station peut exposer des composants internes et annuler la garantie.

Conformité FCC

La station d'accueil Echo 21 Thunderbolt 5 SuperDock est conforme à la partie 15 des règlements de la FCC. Son utilisation est soumise aux deux conditions suivantes : Cet appareil ne doit pas causer d'interférences nuisibles ; Cet appareil doit accepter toute interférence reçue, y compris les interférences pouvant entraîner un fonctionnement non souhaité.

Conformité UE

Sonnet Technologies, Inc. déclare par la présente que cet appareil est conforme à la directive 2014/30/EU.

Conformité VCCI du Japon

この装置は、クラスB情報技術装置です。この装置は、家庭環境で使用することを目的としていますが、この装置がラジオやテレビジョン受信機に近接して使用されると、受信障害を引き起こすことがあります。取扱説明書に従って正しい取り扱いをしてください。VCCI-B

7 : Précautions, conformité et renseignements sur le soutien

Contacter le service à la clientèle

Avant de contacter le service client, veuillez consulter le site Web de Sonnet (www.sonnettech.com) pour obtenir les dernières mises à jour et les fichiers nécessaires. Lorsque vous contacterez le service client, veuillez vous munir des informations suivantes :

- Nom du produit
- Date et lieu d'achat
- Modèle d'ordinateur
- Version du système d'exploitation
- Versions du logiciel/micrologiciel
- Un rapport système (macOS) ou un rapport Microsoft System Information MSINFO32 (Windows), accompagné d'une description du ou des problèmes rencontrés avec votre appareil.

Pour toute assistance supplémentaire, veuillez consulter :

<https://www.sonnettech.com/support/contact/support-form.html>

Clients du Japon

Veuillez communiquer avec le service à la clientèle de Sonnet Japon par courriel à jp.support@sonnettech.com