

# FUSION™ PCIe® FLASH DRIVE

## Quick Start Guide

### You Should Have

The following items should be included in your product package:

- Sonnet Fusion PCIe Flash Drive

### System Requirements

The Fusion PCIe Flash Drive requires the following in order to operate with your system:

- One available Thunderbolt 2 or Thunderbolt port
- OS X® Version 10.8.5 or later, or OS X Server Version 10.8.5 or later; or Windows® 8 or 7, or Windows Server 2012 or 2008



**Support Note:** This document was up to date at the time of printing. However, changes to the hardware or software may have occurred since then. Please check the Sonnet website for the latest documentation.

1. Go to [www.sonnettech.com/support/kb/kb.php](http://www.sonnettech.com/support/kb/kb.php)
2. Click the Thunderbolt Product link.
3. Click the Fusion PCIe Flash Drive link, and then click the Documentation link.
4. Click the Fusion PCIe Flash Drive Quick Start Guide [English] link, and then check the Document Version information. If the version listed is later than this document (revision B), click the Download Now button for the latest version.



## Product Information

### Driver Information

For Mac users, the drivers that enable the Fusion PCIe Flash Drive to work with your computer are installed as part of OS X; the Fusion drive is ready to use when you power on your computer. For Windows users, after starting up Windows, the drivers that enable the Fusion PCIe Flash Drive to operate with your system are installed automatically.

### Using the Fusion PCIe Flash Drive

Listed here is some general information about using the Fusion PCIe Flash Drive with your computer:

#### Formatting the Drive

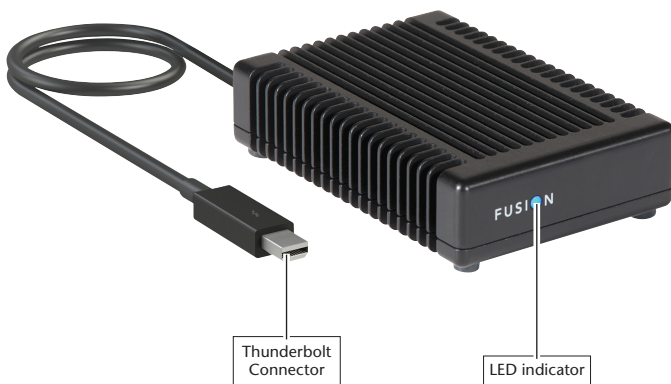
The Fusion PCIe Flash Drive is shipped from Sonnet unformatted. Mac users should use Disk Utility (found in the Utilities folder within the Applications folder) to set up the device for use. Windows users should use Disk Management to set up the device for use.

#### Booting From the Fusion PCIe Flash Drive

Fusion PCIe Flash Drive supports booting OS X 10.8.5 and later when connected to a Mac computer.

### Product Description

Listed below is a picture and descriptions of the Fusion PCIe Flash Drive's connector and indicator.



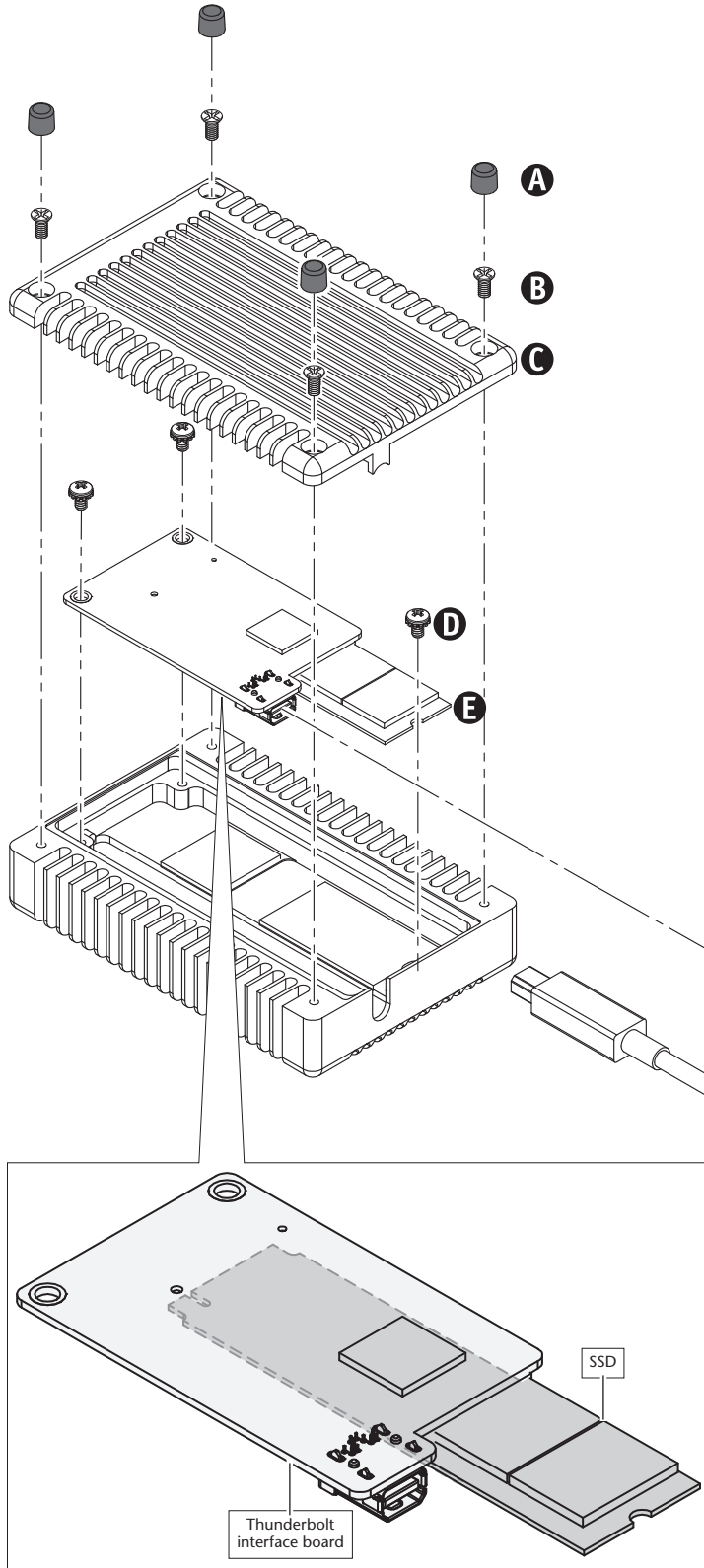
**Thunderbolt Connector** – Plug this connector into one of your computer's Thunderbolt ports, or at the end of a Thunderbolt device chain.

**Drive Power and Activity LED Indicator** – This LED indicates the drive's ready state (LED on), read and write activity (LED flashing).

### Advice

- Always "eject", "stop", "unplug", or "put away" the Fusion PCIe Flash Drive before disconnecting it from your computer or other Thunderbolt device ahead of it in a daisy chain.
- Disconnecting the Fusion PCIe Flash Drive while it is transferring or receiving data may result in damage to the file(s) being transferred or cause your system to hang.
- You may connect the Fusion PCIe Flash Drive to and disconnect it from your computer while it is on; be sure to follow the above advice regarding disconnecting the drive.
- When plugged in at the end of a mixed Thunderbolt 2/Thunderbolt device daisy chain that is connected to a computer with Thunderbolt 2 technology, the Fusion PCIe Flash Drive will not perform at its peak. When connected downstream from a 10Gbps Thunderbolt device, there is not enough bandwidth to support the Fusion drive at full performance.

## Thunderbolt Cable Replacement Instructions



Should the need arise, you may replace the Fusion PCIe Flash Drive's Thunderbolt interface cable. Use Sonnet's cable (part number TCB-TB2-05M); *other cables are not supported.*

1. Remove and set aside the four feet (A) from the bottom of the Fusion PCIe Flash Drive, referred to as "the drive" from this point onward.
2. Using a Phillips screwdriver, remove and set aside the four screws (B) securing the bottom cover to the drive enclosure.
3. Remove and set aside the bottom cover (C).



**Support Note:** To avoid damaging components due to static electricity discharge, wear an antistatic wrist strap while working inside the Fusion PCIe Flash Drive.

4. Remove and set aside the three screws (D) securing the Thunderbolt interface board/SSD assembly (E) to the drive enclosure.
5. Lift up the Thunderbolt cable (F) part way out of the drive enclosure, grasp the circuit board it is plugged into by its edges, and then disconnect the cable. Note that the SSD is plugged into a spring-loaded slot and will separate from the interface board as you lift it out of the enclosure.
6. Plug in the replacement Thunderbolt cable (F).
7. Pushing its short edge, carefully seat the SSD in its slot on the interface board, and then set the interface board/SSD assembly back in the drive enclosure (E).

8. Using the three screws (D) you removed previously, secure the interface board/SSD assembly (E) to the drive enclosure; **do not overtighten the screws.**
9. Using the four screws (B) you removed previously, secure the bottom cover (C) to the drive enclosure; **do not overtighten the screws.**
10. Replace the four feet (A) on the bottom of the drive. Note that you may find it necessary to apply hot glue to the bottom of the feet for them to adhere securely to the screws.



Remember to register your product online at <http://registration.sonnettech.com> to be informed of future upgrades and product releases.  
Software updates and links are available from the Sonnet Website at [www.sonnettech.com](http://www.sonnettech.com). • Online support form available at <http://supportform.sonnettech.com>.  
Sonnet Technologies Customer Service hours are Mon.-Fri., 7 a.m.–4 p.m. Pacific Time • Customer Service Phone: 1-949-472-2772 • E-mail: [support@sonnettech.com](mailto:support@sonnettech.com)  
Sonnet Technologies, Inc., California USA • Tel: 1-949-587-3500

©2016 Sonnet Technologies. All rights reserved. Sonnet, the Sonnet logotype, Simply Fast, the Simply Fast logotype, and Fusion are trademarks of Sonnet Technologies, Inc. Mac, the Mac logo, and OS X are trademarks of Apple Inc., registered in the United States and other countries. Thunderbolt and the Thunderbolt logo are trademarks of Intel Corporation in the U.S. and/or other countries. Other product names are trademarks of their respective owners. Product specifications subject to change without notice. QS-FUS-TB2-E-B-053116