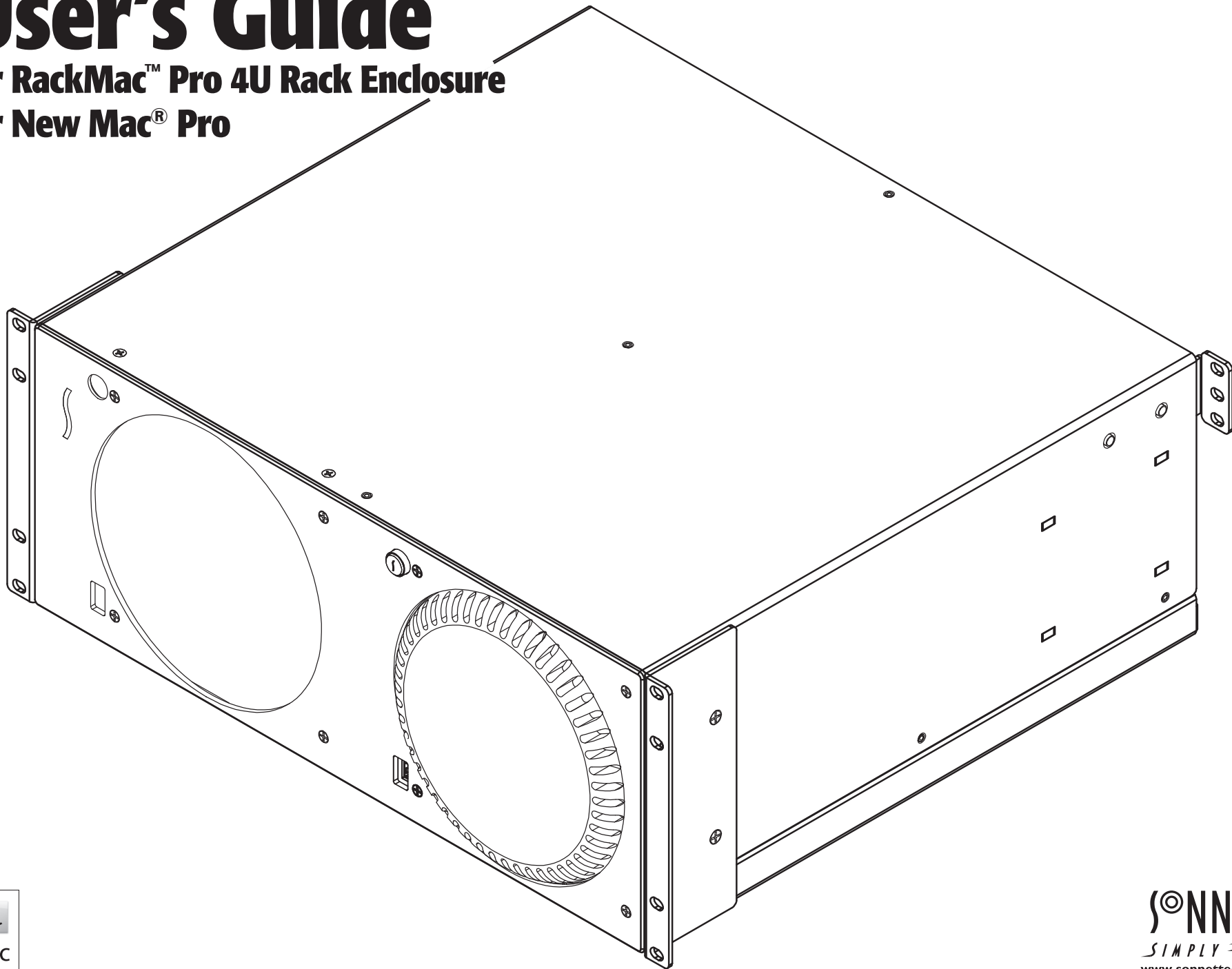


# User's Guide

for RackMac™ Pro 4U Rack Enclosure  
for New Mac® Pro





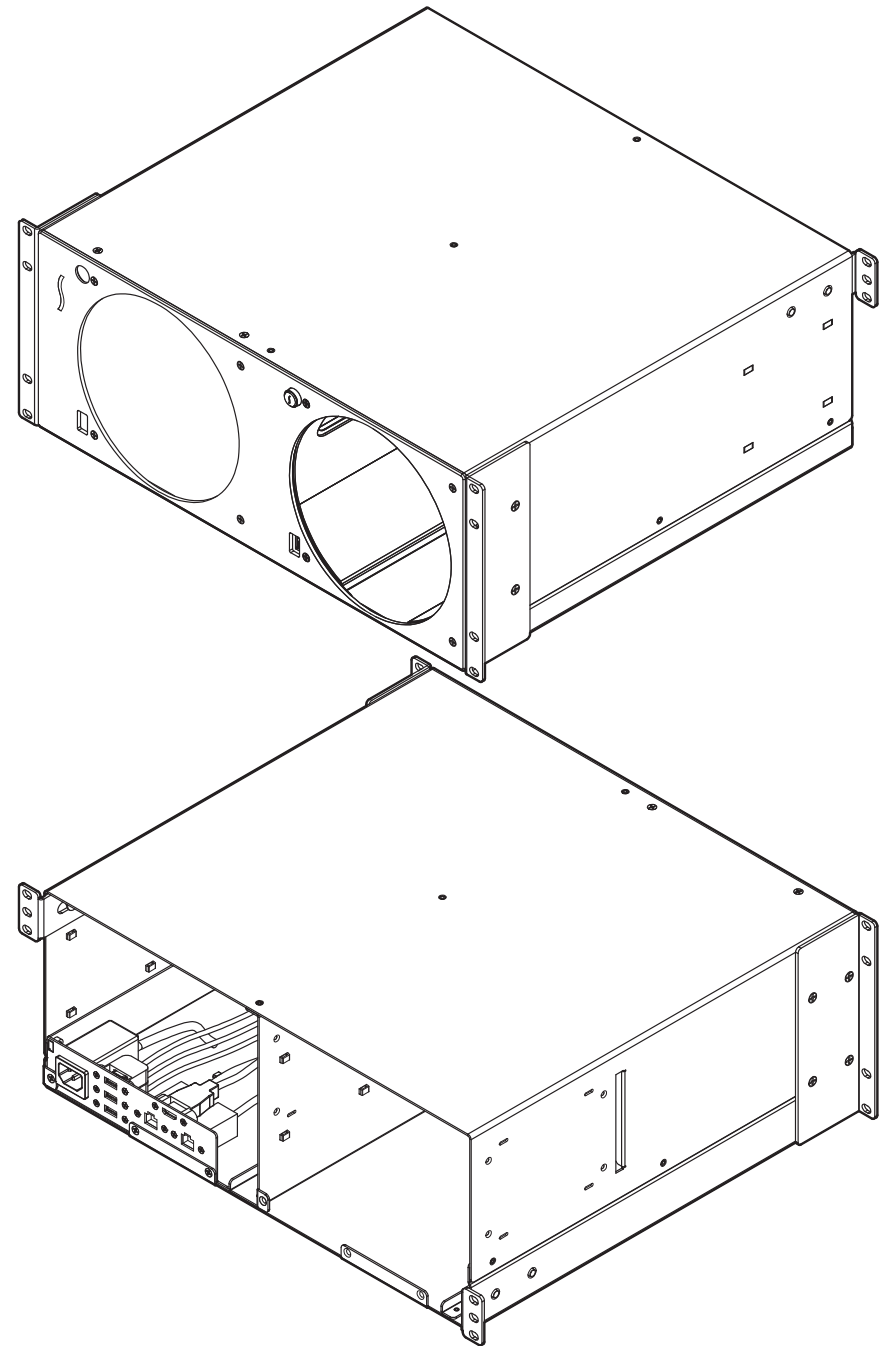
## Contents

<b>1</b>	<b>Introduction</b>	<b>1</b>
<b>2</b>	<b>RackMac Pro Description</b>	<b>2</b>
	External Features	
	Computer Mounting Module	
	5/64-Inch Hex Wrench	
	Mac Pro Bottom Cover Label	
<b>3</b>	<b>Mac Pro and Rackmount Enclosure Installation Steps</b>	<b>4</b>
	A – Remove Computer Mounting Module	
	B – Install Mac Pro Into Computer Mounting Module	
	C – Install Computer Mounting Module Into Enclosure	
<b>4</b>	<b>Specifications, Precautions, and Support Information</b>	<b>11</b>
	Specifications	
	Safety Precautions	
	Contacting Customer Service	
	Visit Our Website	

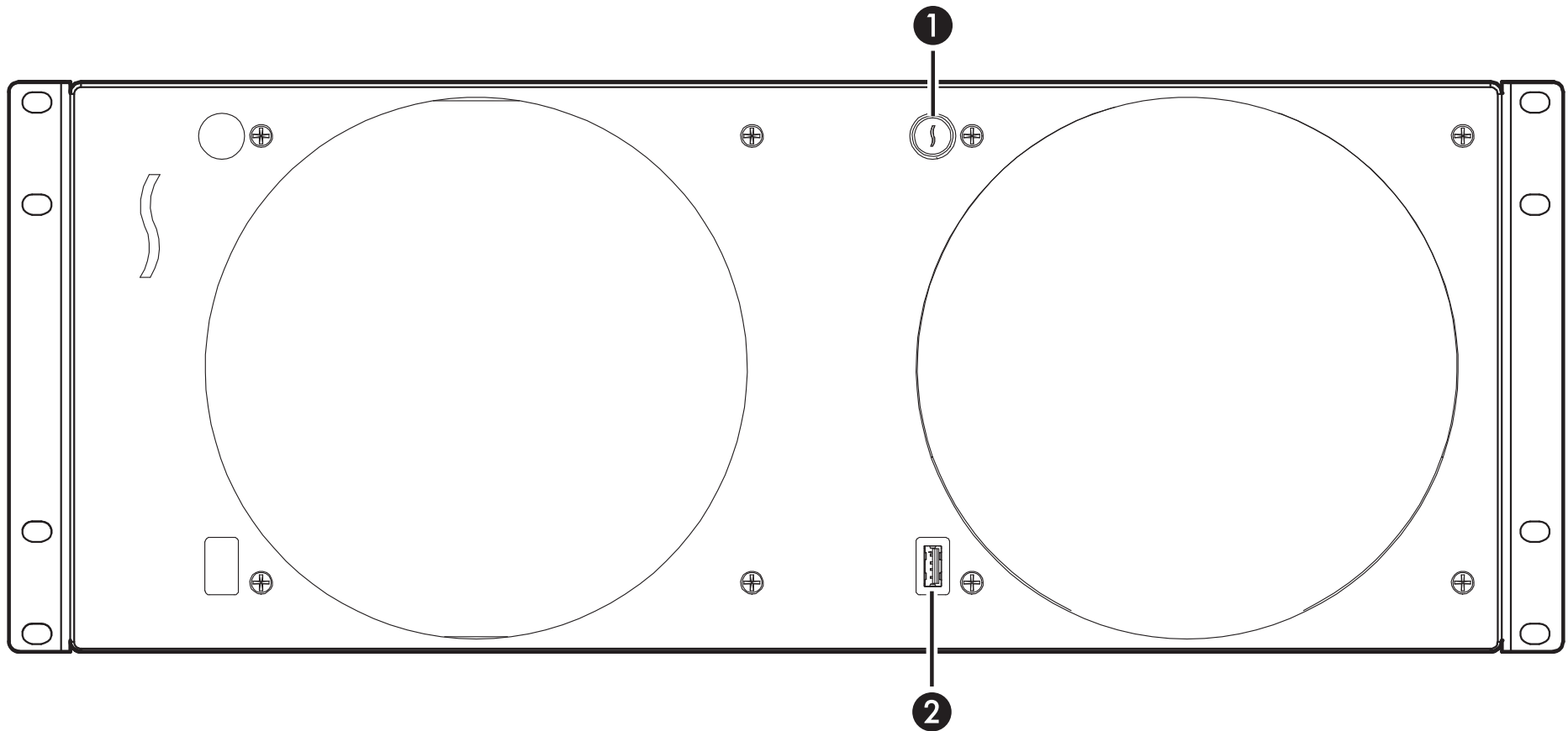
**This page left intentionally blank**

## Chapter 1 – Introduction

Congratulations on your purchase! The RackMac Pro is a 4U rackmount enclosure for one or two Mac Pro computers. The model you purchased is equipped with one Computer Mounting Module to support the installation of one computer; an optional second Computer Mounting Module (part number XMAC-PRO-MM, available for purchase separately) may be installed to support a second Mac Pro.



## Chapter 2 – RackMac Pro Description



### External Features

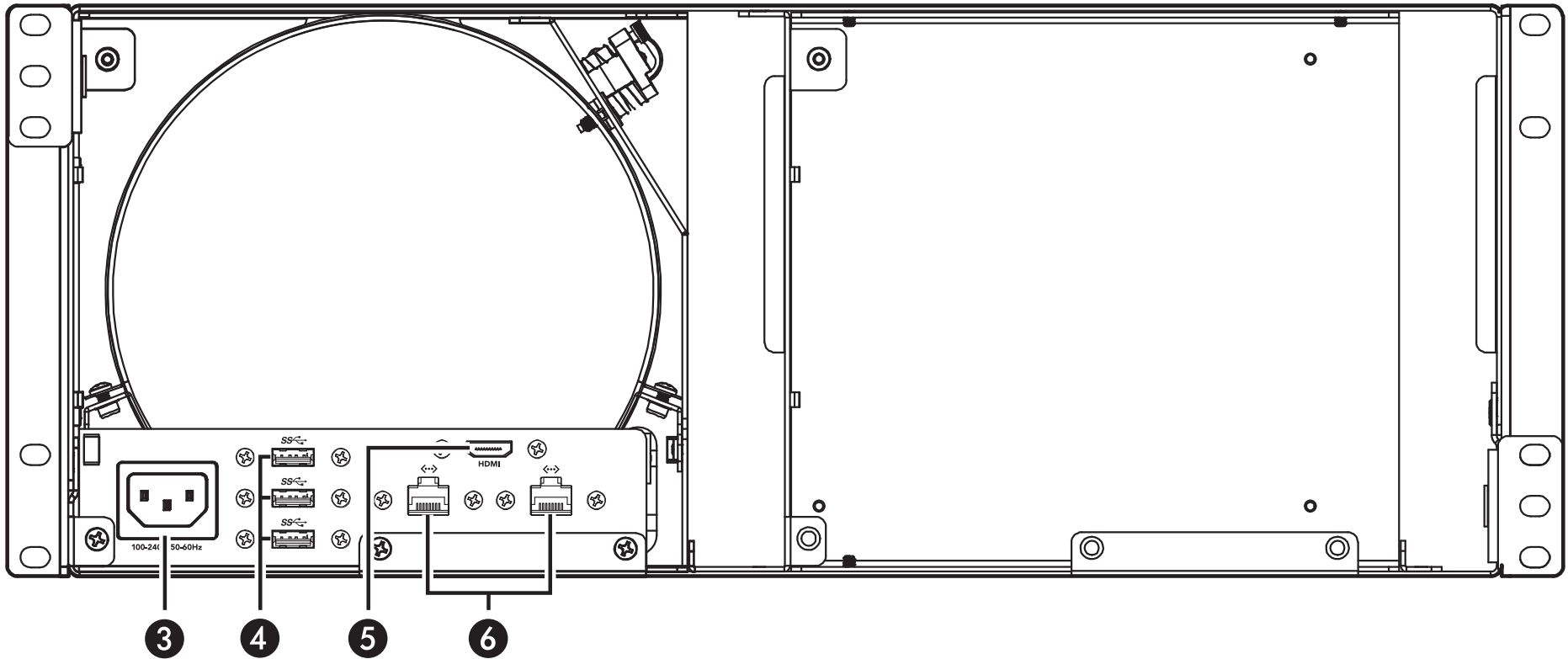
#### 1 – Power Switch

This button activates the Mac Pro's power switch.

#### 2 – USB 3.0 Port

This port connects to the Mac Pro through a cable attached behind the front panel.

## Chapter 2 – RackMac Pro Description



### Computer Mounting Module

#### 3 – Power Input Socket

This socket connects to the Mac Pro through a cable attached to the back panel. Connect your computer's AC power cable here.

#### 4 – USB 3.0 Ports

These ports connect to the Mac Pro through cables attached to the back panel.

#### 5 – HDMI Port

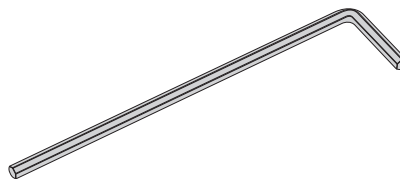
This port connects to the Mac Pro through a cable attached to the back panel.

#### 6 – Gigabit Ethernet Ports

These RJ-45 ports connect to the Mac Pro through cables attached to the back panel.

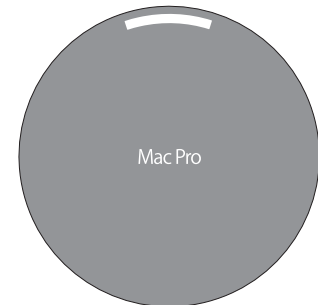
#### 5/64-Inch Hex Wrench

This tool is used to adjust the position of the computer mounting module's power switch set screw.



### Mac Pro Bottom Cover Label

This label is applied to the bottom of the Mac Pro to cover its labeling, except for the serial number, and orient the words Mac Pro parallel to the RackMac Pro Enclosure.



## Chapter 3 – Mac Pro and Rackmount Enclosure Installation Steps

### A – Remove Computer Mounting Module

1. Remove the RackMac Pro from its packaging, and then set it on a flat, level surface.
2. Using a Phillips screwdriver, remove and set aside the eight screws securing the front panel to the rackmount enclosure, being careful to prevent the front panel from falling off (**Figure 1**). Set aside the front panel and screws.

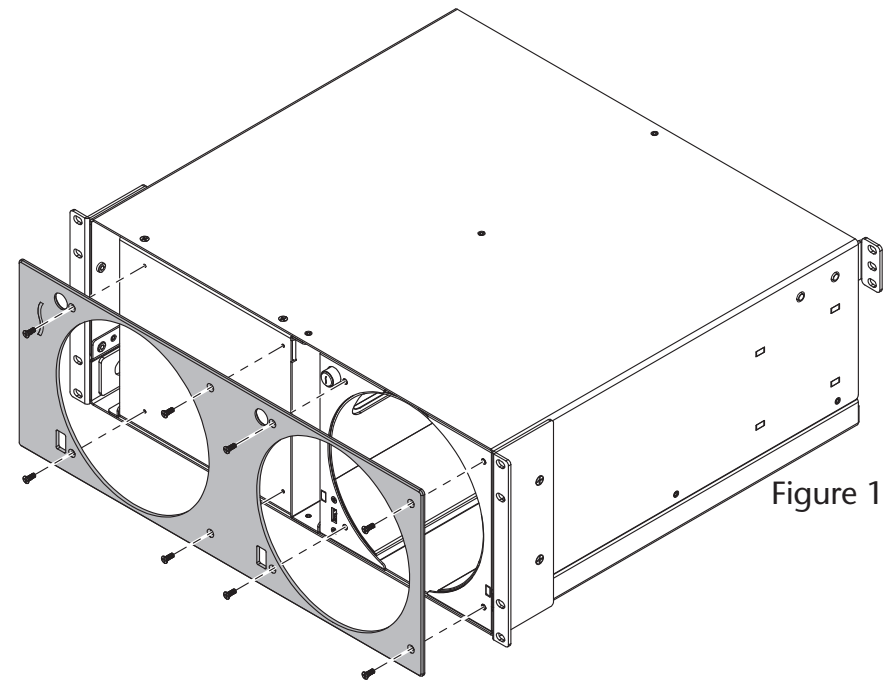


Figure 1

3. Using a Phillips screwdriver, remove and set aside the three screws securing the computer mounting module to the rackmount enclosure (**Figure 2**). Set aside the screws.

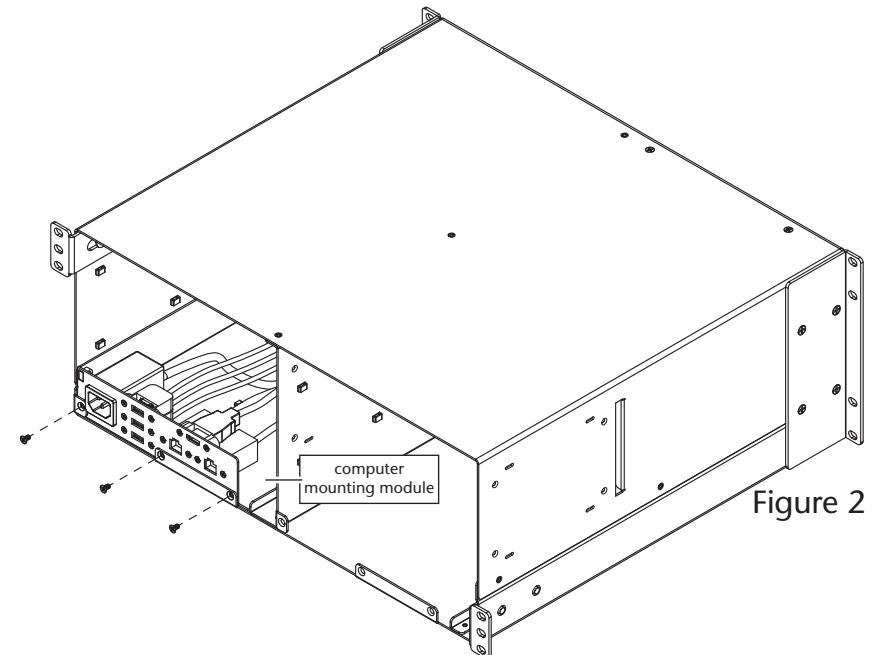


Figure 2



## Chapter 3 – Mac Pro and Rackmount Enclosure Installation Steps

4. Gently pull out the computer mounting module through the front of the enclosure (**Figure 3**).

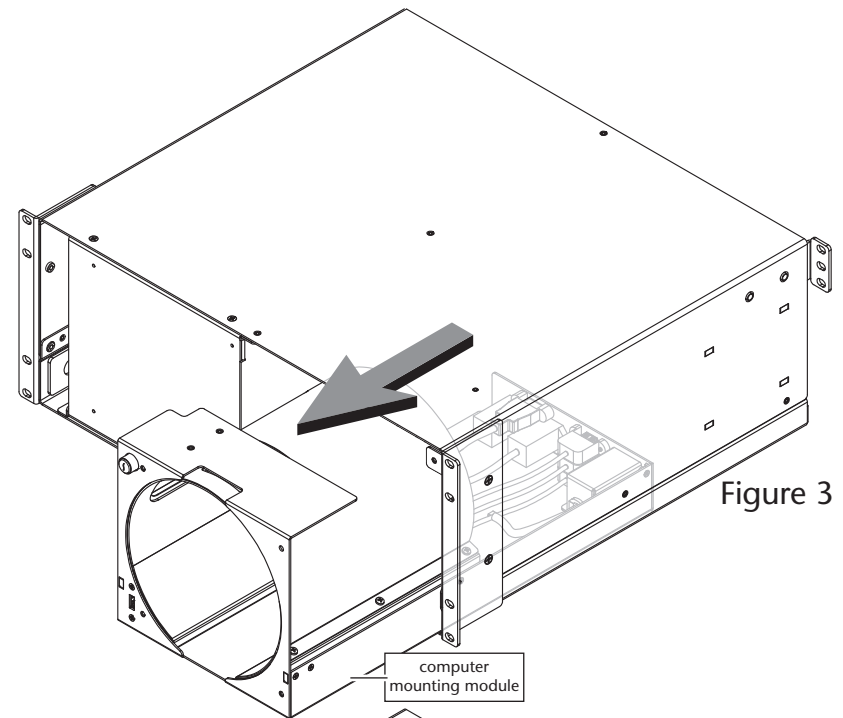


Figure 3

5. **OPTIONAL STEP:** If you are going to install an optional second computer mounting module for a second Mac Pro at this time, remove and set aside the four screws securing the blank plate inside the enclosure, and then remove and set aside the blank plate. (**Figure 4**). *Note that you will reuse three of the four screws to secure the second mounting module.*
6. **OPTIONAL STEP:** If you are installing the RackMac Pro into a rack where mounting support for the back of the rackmount enclosure is not possible, you may slide out and remove the extension rails at this time.
7. Install the rackmount enclosure into the equipment rack.

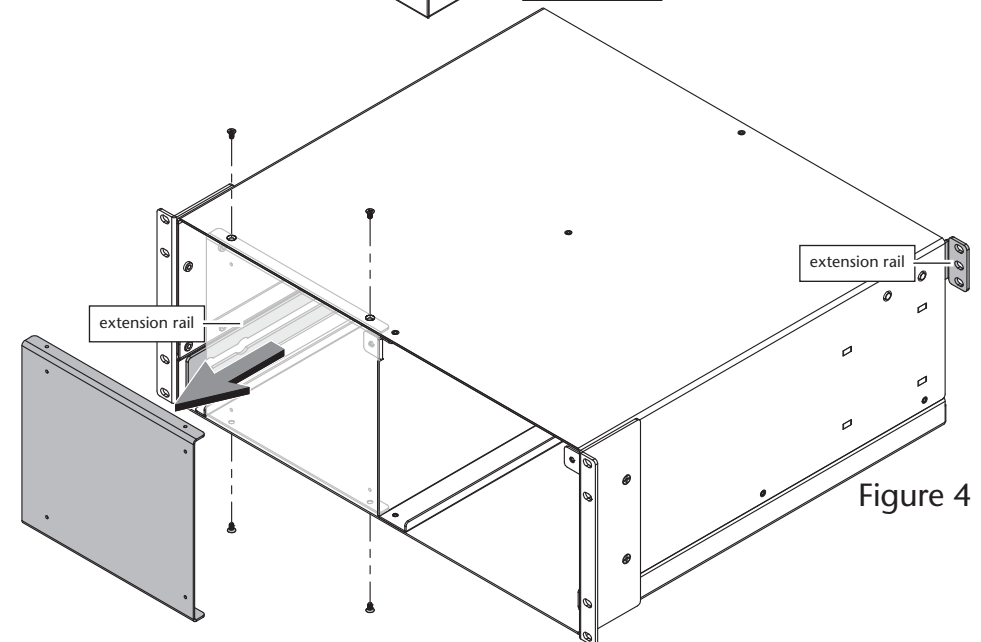



Figure 4

## Chapter 3 – Mac Pro and Rackmount Enclosure Installation Steps

### B – Install Mac Pro Into Computer Mounting Module

1. Using a Phillips screwdriver loosen, but do not remove, the six screws securing the computer mounting module's top bracket to its bottom bracket (Figure 5).
2. Using the included 5/64-inch hex wrench, back out the computer mounting module's power switch set screw by turning the screw counter-clockwise 10 complete turns (Figure 5).

 **WARNING:** Before inserting the Mac Pro into or removing it from the computer mounting module, you must back out the power switch set screw to prevent damage to the computer and power switch.

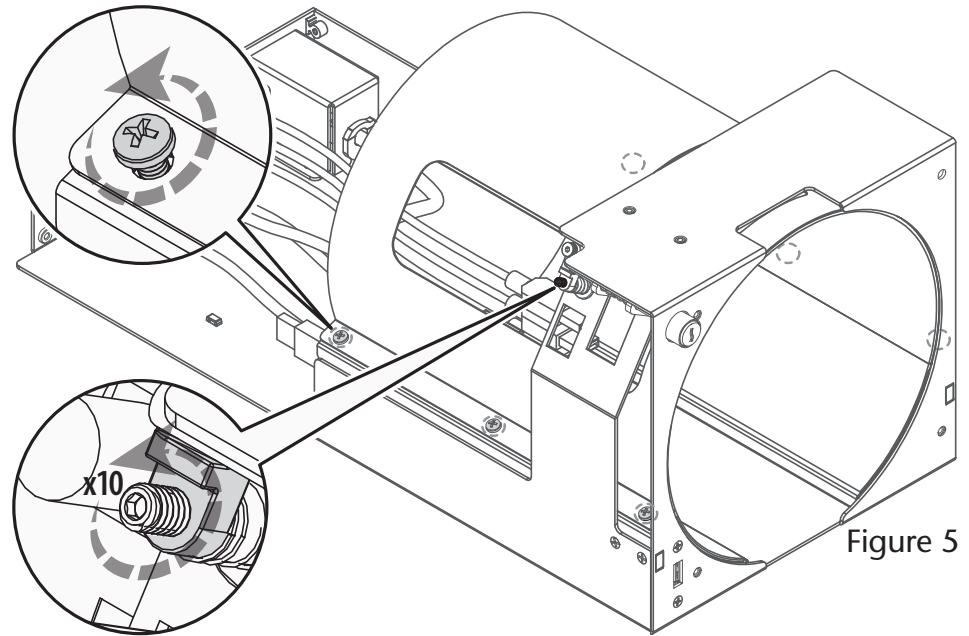


Figure 5

3. Remove the Mac Pro from its packaging.
4. Holding the computer with its ports facing up, *very carefully* insert the computer top-first into the computer mounting module as shown, lining up the Mac Pro's ports with the openings in the module's top bracket. (Figure 6).

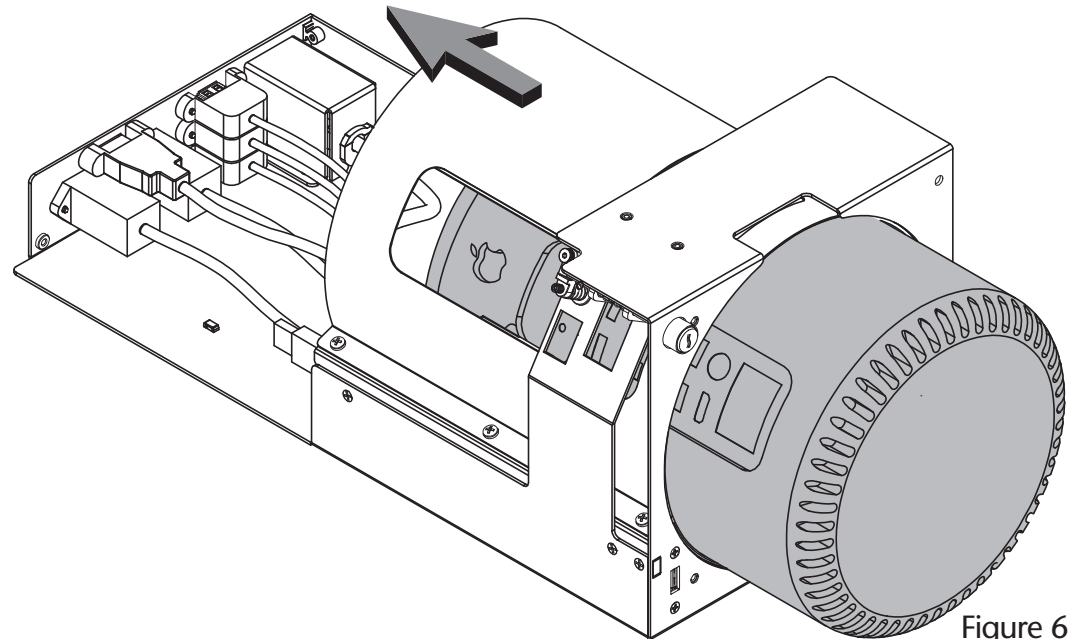


Figure 6

## Chapter 3 – Mac Pro and Rackmount Enclosure Installation Steps

5. Adjust the Mac Pro within the computer mounting module so that its power and HDMI ports are centered in the bracket openings (Figure 7).

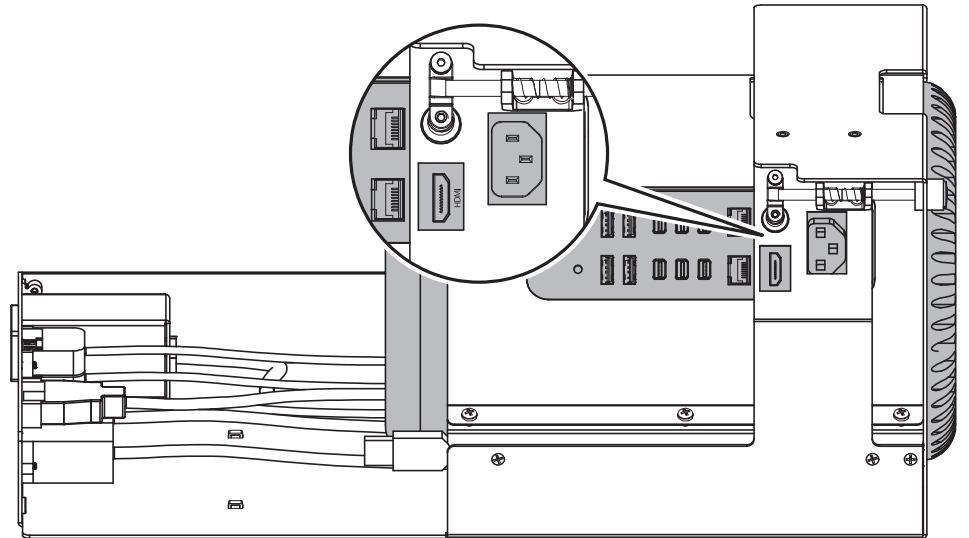



Figure 7

6. Connect the computer mounting module's Gigabit Ethernet, HDMI, power, and USB 3.0 cables to the corresponding ports on the computer (Figure 8).
7. If you are connecting any Thunderbolt cables to the computer, do so now; otherwise, skip to the next step.

 **Support Note:** If you connect any Thunderbolt cables to the Mac Pro, Sonnet recommends that you secure them with cable ties to the computer mounting module's cables.

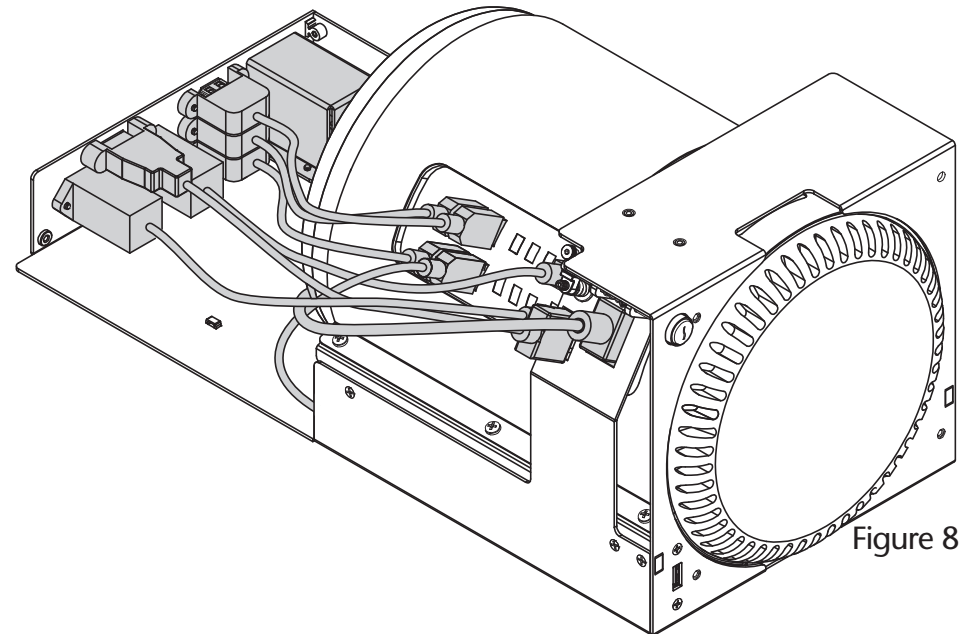


Figure 8

## Chapter 3 – Mac Pro and Rackmount Enclosure Installation Steps

8. Tighten the six screws securing the computer mounting module's top bracket to its bottom bracket. Be certain to tighten the screws securely to prevent the computer from moving within the brackets (**Figure 9**).
9. Tighten the power button's set screw by turning it clockwise just until the top of the screw is flush with its housing (**Figure 9**).
10. Connect your computer's power cable to the computer mounting module's power port and to a powered outlet. If the computer *does not* turn on by itself, go to the next step. If the computer *does* turn on by itself, disconnect the power cable. Loosen the set screw by turning it 1/4 turn counter-clockwise. Connect the power cable again and repeat this step until the computer does not turn on when the power cable is connected.
11. Press the computer mounting module's power button and verify that it activates the Mac Pro's power switch and turns on the computer. If the computer does not turn on, tighten the computer mounting module's power button set screw by turning it 1/4 turn clockwise. Press the computer mounting module's power button again. If the computer turns on, disconnect the power cable and continue to the next step. Otherwise, continue adjusting and testing until the computer turns on when you press the power button.
12. **OPTIONAL STEP:** If you are installing an optional computer mounting module for a second Mac Pro, repeat steps 1 – 11 of this section with the second computer mounting module and Mac Pro.

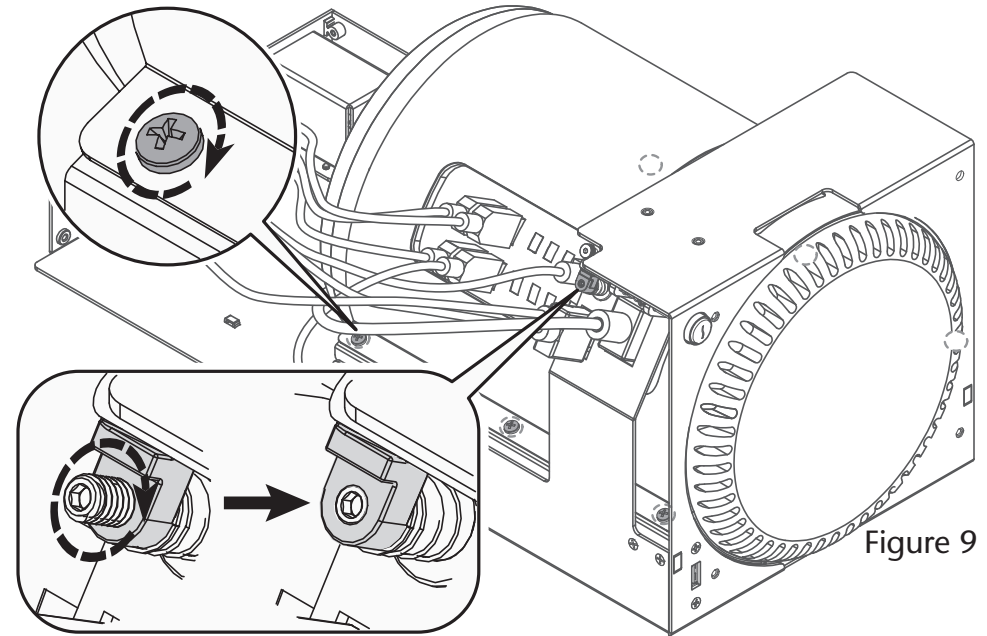


Figure 9



**Support Note:** Sonnet recommends that you tape the hex wrench to the floor of the computer mounting module for safekeeping in case you need to remove a Mac Pro in the future.

## Chapter 3 – Mac Pro and Rackmount Enclosure Installation Steps

### C – Install Computer Mounting Module Into Enclosure

1. Carefully slide the computer mounting module into the RackMac Pro's rackmount enclosure until it stops (**Figure 10**). If you have a second computer mounting module and Mac Pro, slide it into the rackmount enclosure now.

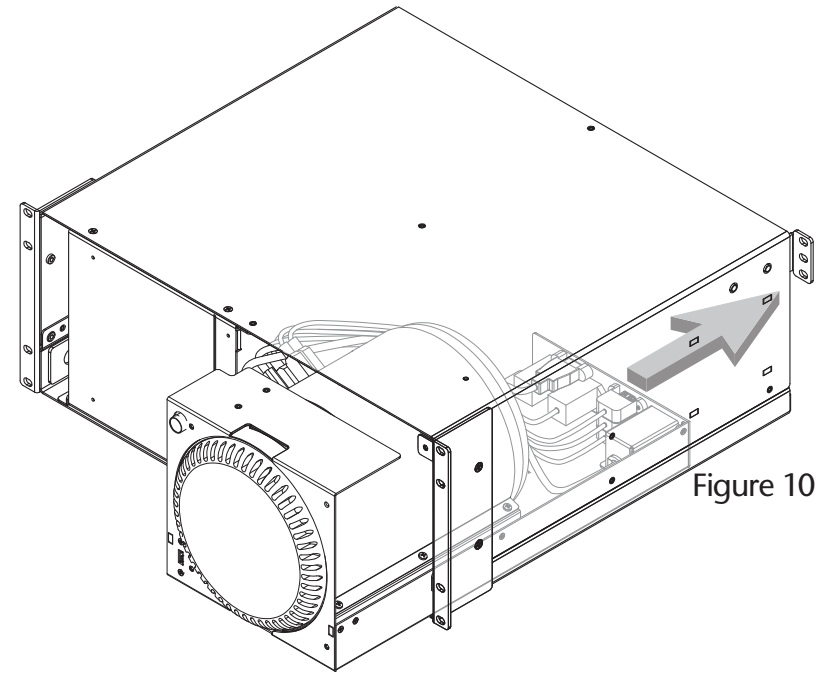


Figure 10

2. Using the three screws you removed previously, secure the computer mounting module to the rackmount enclosure (**Figure 11**). Repeat as necessary with a second computer mounting module and three of the screws that previously secured the blank plate.

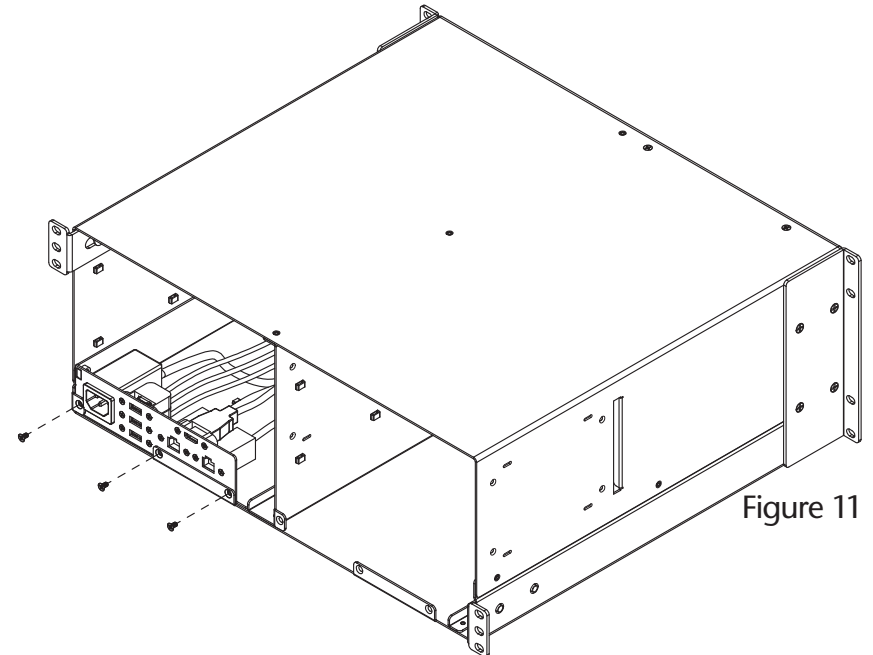


Figure 11

## Chapter 3 – Mac Pro and Rackmount Enclosure Installation Steps

3. Using two of the screws you removed previously, secure the front panel to the rackmount enclosure, inserting the screws into the holes next to the power switch openings. Verify the power switch(es) operate smoothly (**Figure 12**).
4. Using the remaining screws, secure the faceplate to the rackmount enclosure (**Figure 12**).
5. **OPTIONAL STEP:** Apply the bottom cover label to the Mac Pro by peeling off the backing material, aligning the cutout (the area without ink) over the words “Serial Number” and the computer’s serial number, and making sure the words “Mac Pro” appear level.

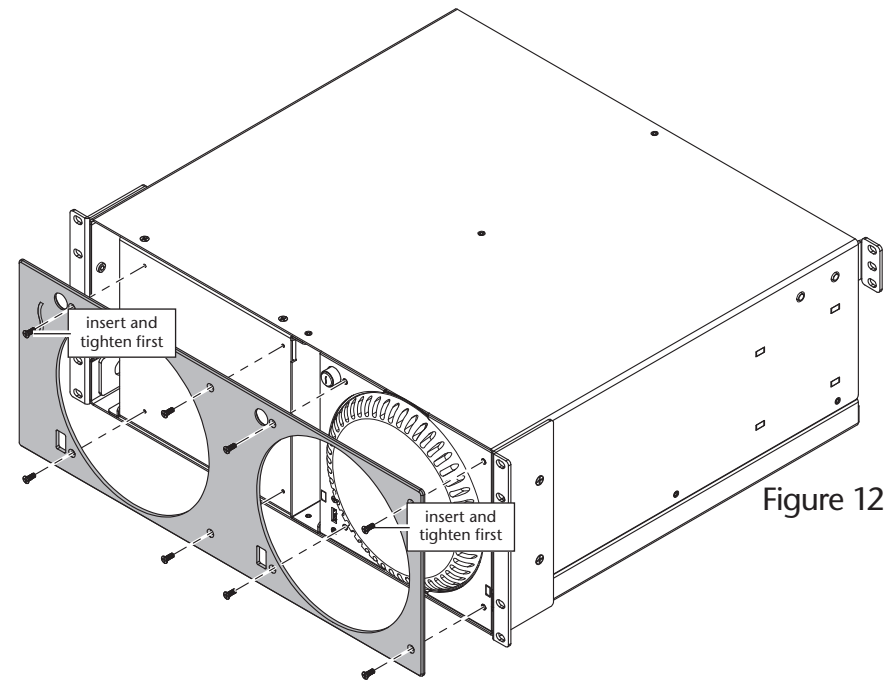


Figure 12

## Chapter 4 – Specifications, Precautions, and Support Information

### Specifications

External Connectors	<ul style="list-style-type: none"><li>• Two RJ-45 Gigabit Ethernet port extensions</li><li>• Four USB 3.0 port extensions (one front mount and three rear mount)</li><li>• One HDMI port extension</li></ul>
Dimensions WxDxH	19 x 16 x 7 in. (48.3 x 40.6 x 17.8 cm)
Weight	24.7 lbs (11.2 kg)
RoHS Compliant	Yes
Package Contents	<ul style="list-style-type: none"><li>• RackMac Pro with one computer mounting module, assembled</li><li>• 5/64-inch hex wrench</li><li>• Cover label (for bottom of Mac Pro)</li><li>• User's guide</li></ul>

### SAFETY PRECAUTIONS

Please read this section carefully before proceeding. These precautions explain the correct and safe use of this device, thereby helping to prevent injury to you or others, and also help you to minimize the risk of damaging the device.

- Do not attempt to modify the enclosure. If this device appears to have a mechanical issue, contact your reseller or local distributor.
- Do not drop the enclosure; dropping or mishandling enclosure may result in a malfunction leaving the product inoperable.
- Do not expose the device to rain, use it near water or containers that contain liquids which might spill into any openings, or in damp or wet conditions.
- Follow the instructions in this manual carefully; contact your reseller or local distributor for additional advice not covered in this User's Guide.

### Contacting Customer Service

The Sonnet Web site located at [www.sonnettech.com](http://www.sonnettech.com) has the most current support information and technical updates. Before you call Customer Service, please check our Web site for the latest updates and online support files, and check this User's Guide for helpful information.

When you call Customer Service, have the following information available so the customer service staff can better assist you:

- Product name
- Product serial number
- Date and place of purchase
- Computer model

#### USA Customers

If further assistance is needed, please contact **Sonnet Customer Service** at:

Tel: 1-949-472-2772

(Monday–Friday, 7 a.m.–4 p.m. Pacific Time)

E-mail: [support@sonnettech.com](mailto:support@sonnettech.com)

#### For Customers Outside the USA

For support on this product, contact your reseller or local distributor.

#### Visit Our Web Site

For the most current product information and online support files, visit the Sonnet Web site at [www.sonnettech.com/support/](http://www.sonnettech.com/support/). Register your product online at <http://registration.sonnettech.com> to be informed of future upgrades and product releases.

