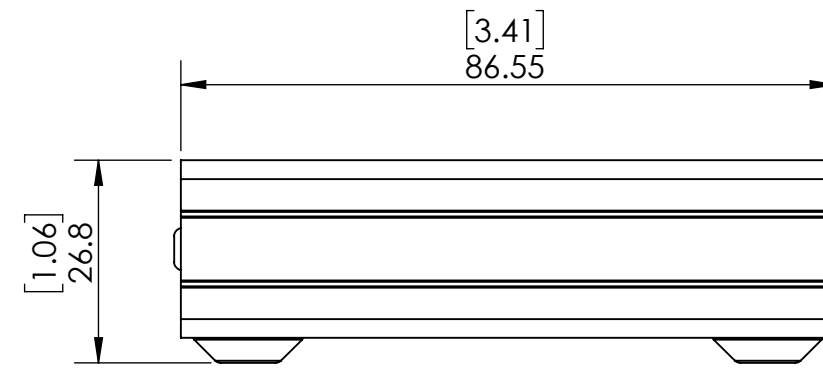
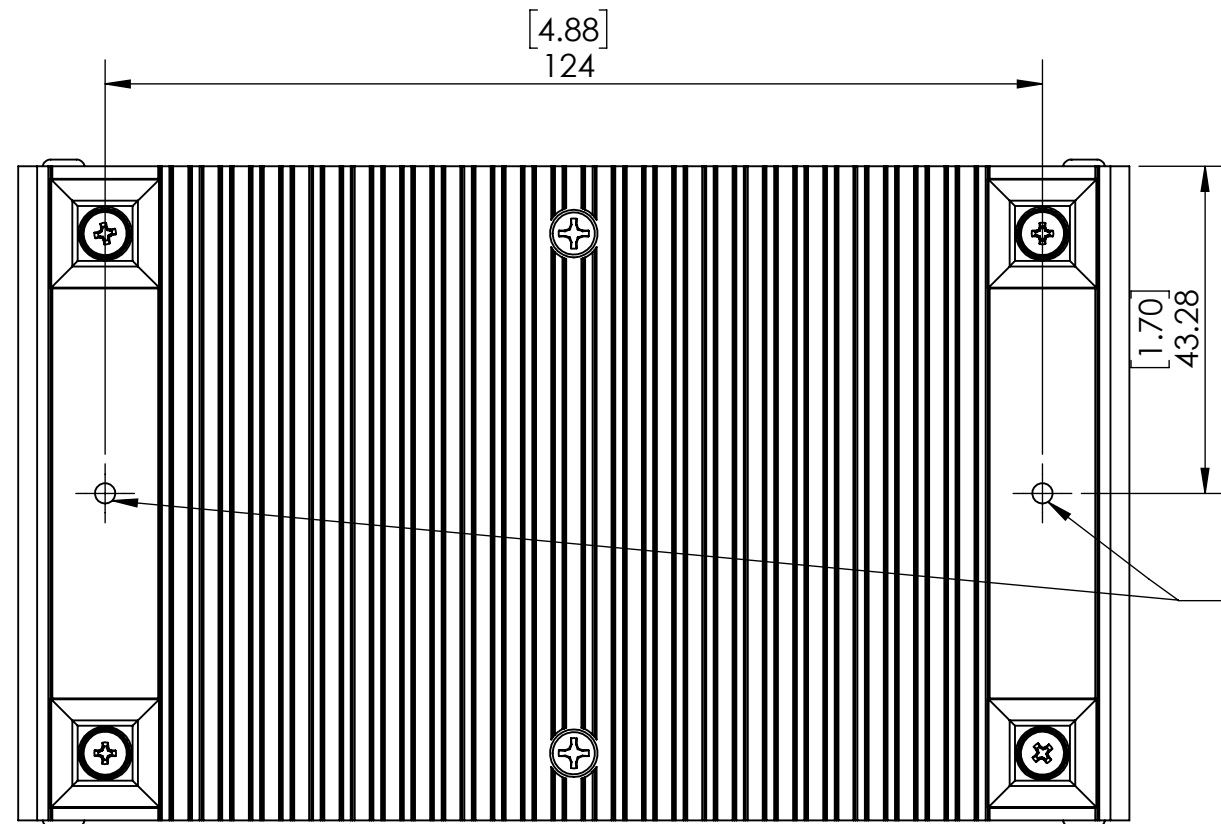


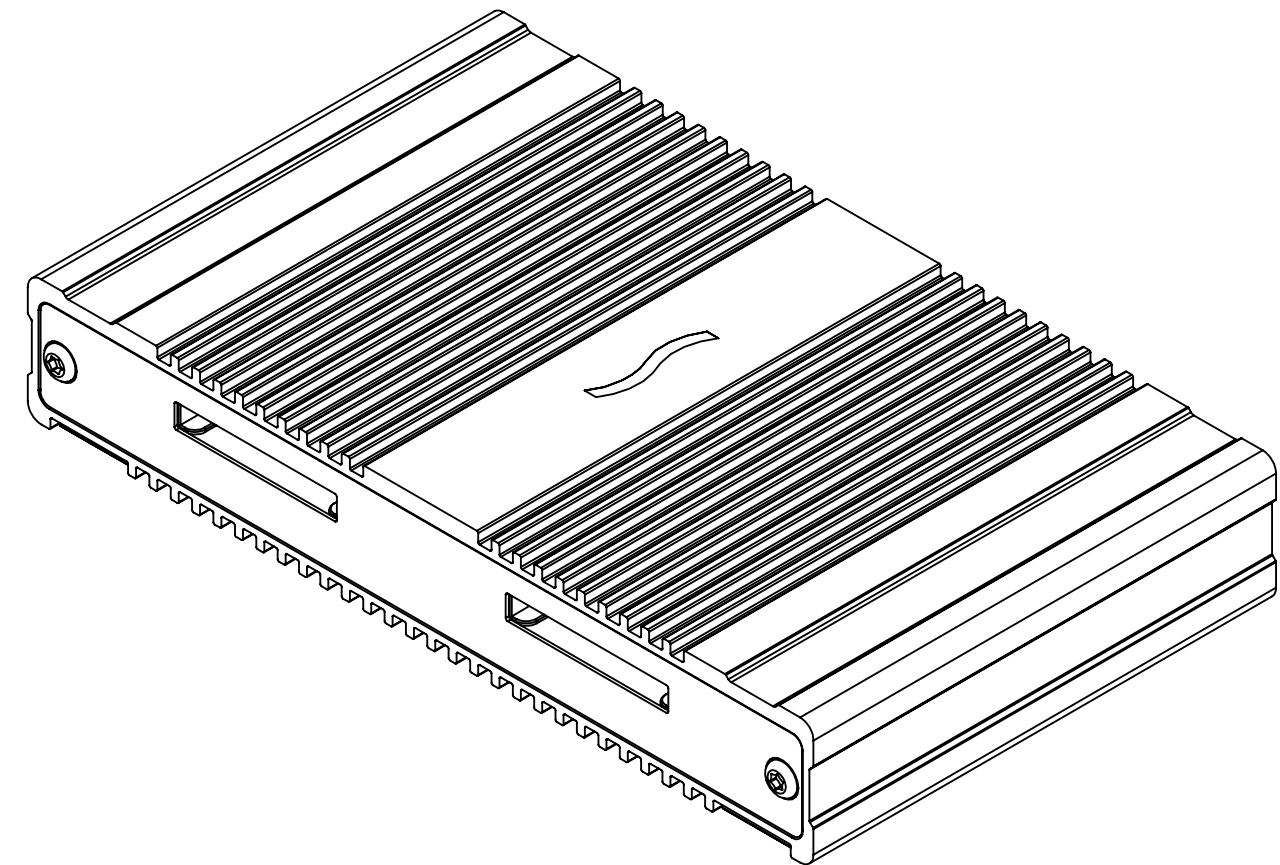
Front View



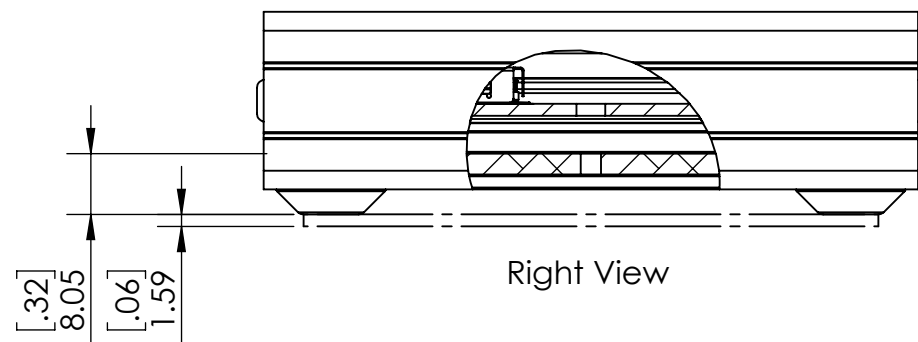
Side View



Bottom View




Isometric View



Right View

(2x) 4-40 Tapped Mounting Holes

NOTE: For mounting to .06" sheet metal, use 4-40 flat head undercut screw, length .44"Min - .56" Max.

UNLESS OTHERWISE SPECIFIED DIMENSIONS ARE IN MILLIMETERS [DIMENSIONS] ARE IN INCHES	NAME	DATE	 <b>Sonnet Technologies Inc.</b> 8 Autry Irvine, California 92618-2708 USA Phone 1-949-587-3500
	CREATED	MW	
INTERPRET GEOMETRIC TOLERANCING PER:	ENG APPR.	MW	10/11/19
MATERIAL	<b>CONFIDENTIAL</b> Copyright (c) 2019 Sonnet Technologies Inc.		TITLE: XQD CFexpress Card Reader
FINISH			N/A
DO NOT SCALE DRAWING			VERSION <b>A-01</b> WEIGHT: SHEET 1 OF 1