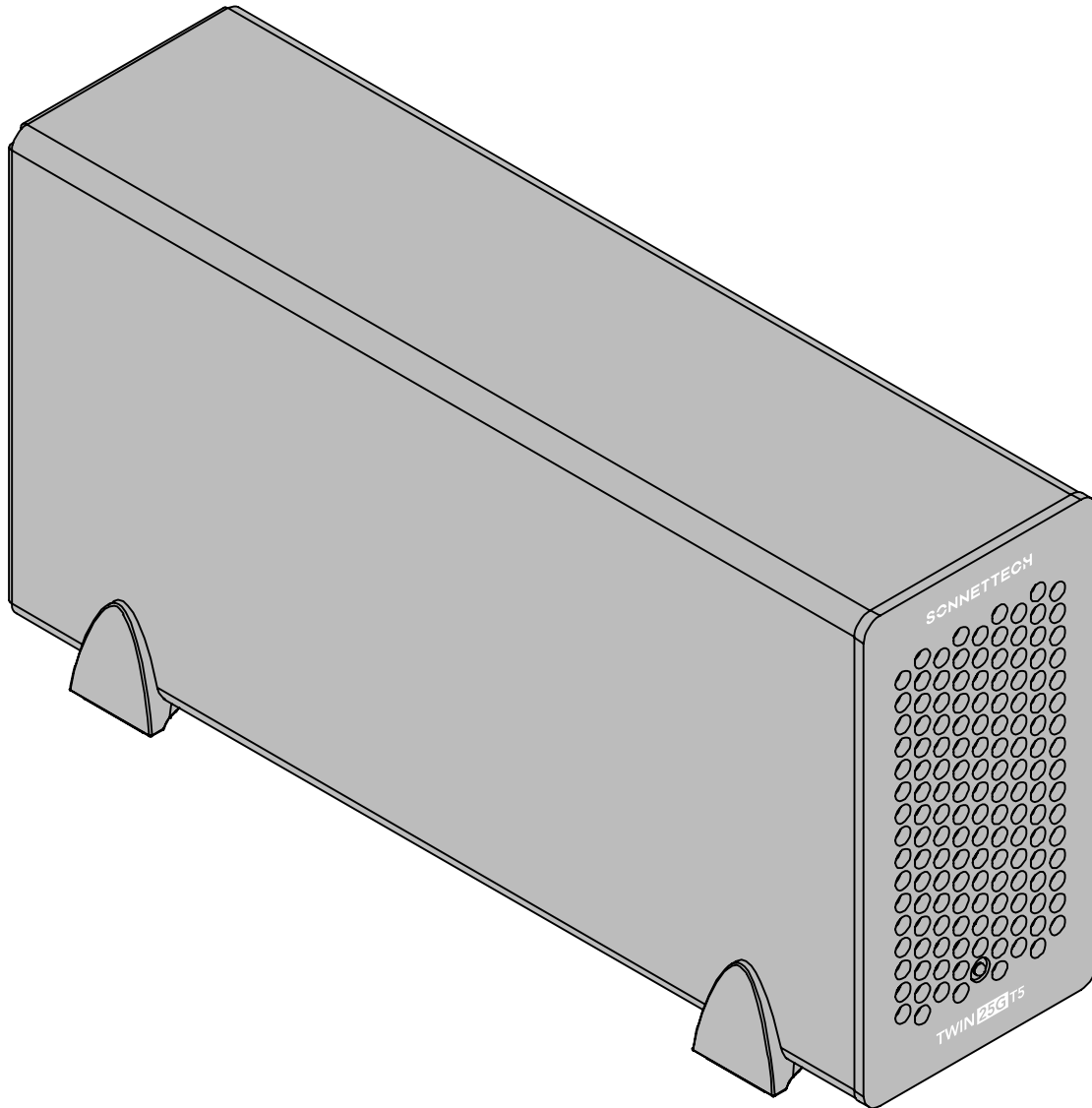


User's Guide

for Twin25G T5 Thunderbolt 5 Adapter



Support Note: This document was up to date at the time of printing. However, changes to the hardware or software may have occurred since then. Please check the Sonnet website for the latest documentation.

1. Go to www.sonnettech.com/support/kb/kb.php
2. Navigate to and click the Twin25G T5 Thunderbolt 5 Adapter link.
3. Click the Manual link.
4. Click the Twin25G T5 Thunderbolt 5 Adapter User's Guide [English/French] link and then check the Document Version information. If the version listed is later than this document (**revision A**), click the Download Now button for the latest version.



For
Windows



Contents

1	System Requirements, Driver Information, and System Preparation	1
	Mac Compatibility	
	Windows Compatibility	
	Linux Compatibility	
	System Requirements	
	Driver Information—macOS	
	Driver Information—Windows	
	Driver Information—Linux	
	Preparing to Use the Adapter With a Mac Computer	
	Preparing to Use the Adapter With a Windows Computer	
	Preparing to Use the Adapter With a Linux Computer	
2	Twin25G T5 Thunderbolt 5 Adapter Description	2
	Twin25G T5 Thunderbolt 5 Adapter Indicators and Ports	
	Additional Package Contents	
3	Driver Download/Installation Steps	3
	Driver Download and Installation Steps—Mac Users	
	Driver Download and Installation Steps—Windows Users	
4	Twin25G T5 Thunderbolt 5 Adapter Connection Steps	4
5	Verification and Configuration Steps	5
	Confirm Twin25G T5 Thunderbolt 5 Adapter and Its Ethernet Controllers are Recognized—Mac Users	
	Confirm Twin25G T5 Thunderbolt 5 Adapter and Its Ethernet Controllers are Recognized—Windows Users	
	Basic Configuration Steps—Mac Users	
	Basic Configuration Steps—Windows Users	
6	Tips, General Information, and Known Issues	6
	Tips, General Information	
	Known Issues	
7	Warnings, FCC Compliance, and Support Information	6
	Warnings	
	FCC Compliance	
	Contacting Customer Service	

1 – System Requirements, Driver Information, and System Preparation

Mac Compatibility

- macOS 15+ Mac with Thunderbolt 5, Thunderbolt 4, Thunderbolt/USB4, or Thunderbolt 3 ports

Windows Compatibility

- Computer with Thunderbolt 5 or 4, or USB4* ports
- Windows 11
- Windows Server 2025, 2022

Linux Compatibility

- Linux 6.1 or 6.12 computer with Thunderbolt 5 or 4, or USB4 ports

System Requirements

The Twin25G T5 adapter requires the following to operate:

- OM3 or OM4 LC/LC multimode fiber optic cables (sold separately). When used with OM2 cables, 10 Gbps speeds are supported.

Driver Information—macOS

The driver that enables the Twin25G T5 adapter to work with Mac computers must be downloaded from Sonnet's Website and installed *before* connecting the Twin25G T5 adapter to your computer; instructions follow.

Driver Information—Windows

Although a driver that enables the Twin25G T5 adapter to work with Windows computers is already present in supported Windows operating systems, you should download the latest driver through the Sonnet Website and install it *before* connecting the Twin25G T5 adapter to your computer; instructions follow.

Driver and Configuration Information—Linux

The drivers that enable the Twin25G T5 adapter to work with Linux are installed as part of Linux Kernels 6.1 and 6.12.

The steps necessary to configure the Sonnet adapter with your computer may vary based on the version of Linux running. Sonnet recommends using whatever method or tools you would normally use for configuring any onboard ports.

Preparing to Use the Adapter With a Mac Computer

1. Update your computer to a supported version of macOS as necessary.
2. Download and install the Twin25G driver installer application (instructions follow); **do not connect the adapter to your computer until this step is completed.**
3. Connect the Sonnet adapter to a switch or storage system (instructions follow).
4. Connect the Twin25G T5 adapter to your computer, and then power on the computer and adapter (instructions follow).
5. Confirm the Twin25G T5 adapter and its Ethernet controllers are recognized by your computer (instructions follow).
6. Configure the adapter through the System Settings' Network control panel (instructions follow).

Preparing to Use the Adapter With a Windows Computer

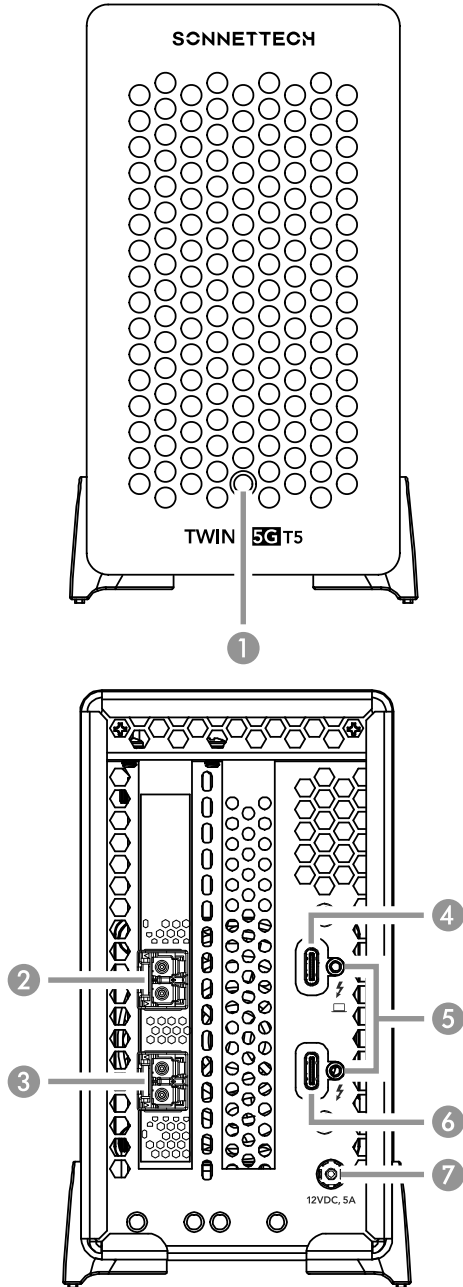
1. Update your computer to a supported version of Windows as necessary.
2. Download and install the Twin25G drivers (instructions follow).
3. Connect the Sonnet adapter to a switch or storage system (instructions follow).
4. Connect the Twin25G T5 adapter to your computer, and then approve the device (always connect); instructions follow.
5. Confirm the Twin25G T5 adapter and its Ethernet controllers are recognized by your computer (instructions follow).
6. Configure the adapter through Windows Device Manager (instructions follow).

Preparing to Use the Adapter With a Linux Computer

1. Update your computer to a supported version of Linux as necessary.
2. Connect the Sonnet adapter to a switch or storage system.
3. Connect the Twin25G T5 adapter to your computer, and then power on the computer.
4. Configure the adapter using the methods or tools you would normally use for configuring onboard Ethernet ports.

* USB4 support requires that your computer have a "USB4 Host Router (Microsoft)". Navigate to Device Manager and expand the Universal Serial Bus controllers category to confirm.

2 – Twin25G T5 Thunderbolt 5 Adapter Description



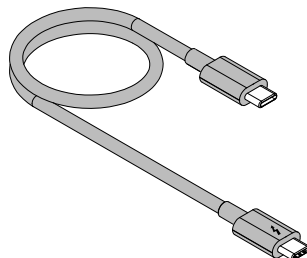
Twin25G T5 Thunderbolt 5 Adapter Indicators and Ports

- 1 – **Power Indicator**
This LED lights when the adapter is powered, the Thunderbolt cable between the adapter and your computer is plugged in securely, and the computer powered on. Note that if the adapter is connected to another Thunderbolt device instead of directly to the computer, any other device connected between the computer and adapter must also be powered on before the adapter's power indicator will light up.
- 2, 3 – **SFP28 Transceivers (Installed)**
Connect LC/LC fiber optical cables to these optical transceiver(s). Make sure the transceivers are firmly seated and secured.
- 4 – **Thunderbolt/Computer Port**
Connect the included (or other certified) Thunderbolt 5 cable between this port and your computer's Thunderbolt or USB4 port (or other Thunderbolt device in the chain connected to the computer). *You may not connect two computers to this adapter's Thunderbolt ports, nor to a daisy chain of Thunderbolt peripheral devices between computers.*
- 5 – **Threaded Nuts for ThunderLok™**
Attach the included Thunderbolt connector retainer clip here.
- 6 – **Thunderbolt Peripheral Port**
This port may be used to connect to another Thunderbolt peripheral device, display(s), or a USB device (when connected with the proper cable or adapter).
- 7 – **12VDC Socket**
Connect the included 12V, 5A DC power adapter between this socket and the included power cord.

Additional Package Contents

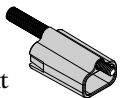
Thunderbolt 5 Cable

Connect this cable between the Twin25G T5 adapter's Thunderbolt/Computer port and your computer (or other Thunderbolt device in the chain connected to the computer). Connecting the Twin25G to a computer port marked with a generic USB icon (🔌) or USB Charging Port icon (🔌) is NOT supported.



ThunderLok™ Thunderbolt Connector Retainer Clip

This secures the included Thunderbolt cable's connector when plugged into the Twin25G T5 adapter's Thunderbolt port to prevent accidental cable disconnection. This clip is compatible with Sonnet Thunderbolt cables.



12V, 5A Power Adapter (Not Shown)

Connect this to the Twin25G T5 adapter's 12VDC socket.

Power Cord (Not Shown)

Connect this between a power outlet and the power adapter.

3 – Driver Download/Installation Steps

Driver Download and Installation Steps—Mac Users



Support Note: Do *NOT* connect the Twin25G T5 adapter to your computer until the driver has been installed as described in the next section.

1. Launch a web browser and go to <https://www.sonnettech.com/support/kb/kb.php>.
2. Navigate to and click the Twin25G T5 Thunderbolt 5 Adapter link.
3. On the support library page, click the Driver link, and then click the arrow next to TWIN25G/TWIN10G SFP28 Software [macOS]. After reading the information, click the Download Now button; the file will be downloaded.
4. Locate and double-click the .dmg file you downloaded to open it; a new window will appear. Copy the Sonnet Network application to your computer's Applications folder by dragging it onto the Applications shortcut icon in the installer window.
5. Double-click the Applications shortcut icon to open the Applications folder on your computer.
6. Double-click Sonnet Network.app; a popup window will appear stating Sonnet Network is an app downloaded from the internet. Click Open; the Sonnet Network application will open.
7. In the *Sonnet Network* window, click Enable; this only has to be done once (the application no longer needs to run afterwards). A dialog window will appear.



WARNING: Do *NOT* delete the Sonnet Network application! Doing so would remove the Twin25G T5 adapter's driver.

8. Click Open System Settings, *NOT* the highlighted OK button; this will open System Settings > General > Login Items & Extensions.
9. When the Driver Extensions window appears, click the toggle switch for Sonnet Network to On, and then click Done.
10. When the System Extension popup appears, enter the admin password, and then click OK.
11. In the Driver Extension popup, click Done, and then back in the Sonnet Network Installer Window, click Quit.
12. After the driver installation is complete, restart your computer; you may now connect the Twin25G T5 adapter to your computer.

Driver Download and Installation Steps—Windows Users



Support Note: Do not connect the Twin25G T5 adapter to your computer until the driver has been installed as described in the next section.

1. Launch a web browser and go to www.sonnettech.com/support/kb/kb.php
2. Navigate to and click the Twin25G T5 Thunderbolt 5 Adapter link.
3. On the Twin25G T5 Thunderbolt 5 Adapter support page, click the Driver link, and then click the Download Now button next to the TWIN25G/TWIN10G SFP28 Software [Windows] link; a new window or tab will open.
4. On the *MLNX_OFED for Windows - WinOF / WinOF-2* page, click the WinOF-2 Download tab to open the WinOF-2 Download Center box, and then select the following:
 - the latest release
 - Windows Server or Windows Client
 - your computer's OS (Distribution) version.In the Download/Documentation column, click the WinOF Driver link; the file will be downloaded.
5. Locate the .exe file you downloaded and then double-click it to launch the driver installer.
6. Follow the on-screen instructions to complete the driver installation.
7. After the driver installation is complete, restart your computer; you may now connect the Twin25G T5 adapter to your computer.

4 – Twin25G T5 Thunderbolt 5 Adapter Connection Steps



Support Note: The Sonnet ThunderLok Thunderbolt connector retainer clip secures the included Thunderbolt 5 cable to the Twin25G T5 adapter to prevent accidental disconnects. It is compatible with Sonnetech Thunderbolt cables.

To attach the clip to the cable, remove both from their packaging, and then insert the connector through the connector clip as shown (Figure 1). Note that the connector will pass all the way through the clip; when you connect the cable to the chassis, the clip will secure the connector.

1. Connect the included (or other certified) Thunderbolt 5 cable between the Thunderbolt/Computer port on the Twin25G T5 adapter and a Thunderbolt or USB4 port on your computer, or other Thunderbolt device in the chain connected to the computer (Figure 2). Note that cables or computer ports marked with a generic USB icon (↔) or USB Charging Port icon (⚡) are NOT compatible. Secure the retainer clip to the threaded hole beneath the Thunderbolt port on Twin25G if you attached it.

If you are daisy chaining additional Thunderbolt devices, connect another Thunderbolt cable between the downstream device and the open Thunderbolt port on the Twin25G. Also note that **you may not connect two computers to the Sonnet adapter's Thunderbolt ports, nor to a daisy chain of Thunderbolt devices between computers.**

2. Connect cable(s) between transceiver(s) on the Twin25G T5 adapter and the switch or storage device.



Support Note: Unless your setup requires connection redundancy (and your switch or storage system supports it), connecting the Twin25G T5 adapter to a switch or storage system requires only a single SFP28 transceiver plus appropriate fiber optical cable. You may potentially install the second included transceiver in your switch or storage system.

3. Connect the included power cord between a wall outlet or power strip and the power adapter; verify the connector is plugged in securely.
4. Connect the power adapter cable to the Twin25G T5 adapter's 12V power socket. Note that the Sonnet adapter's power indicator will not light until the computer, and any other Thunderbolt devices connected between it and the adapter, is powered on.
5. Go to the next section, Verification and Configuration Steps.

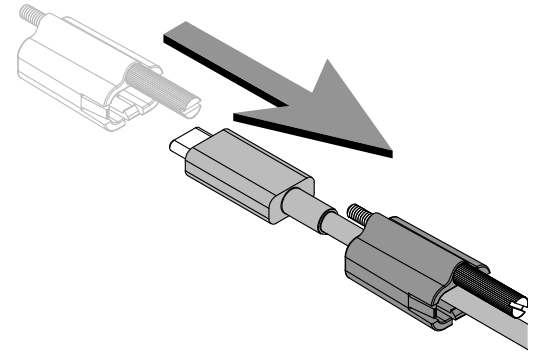


Figure 1

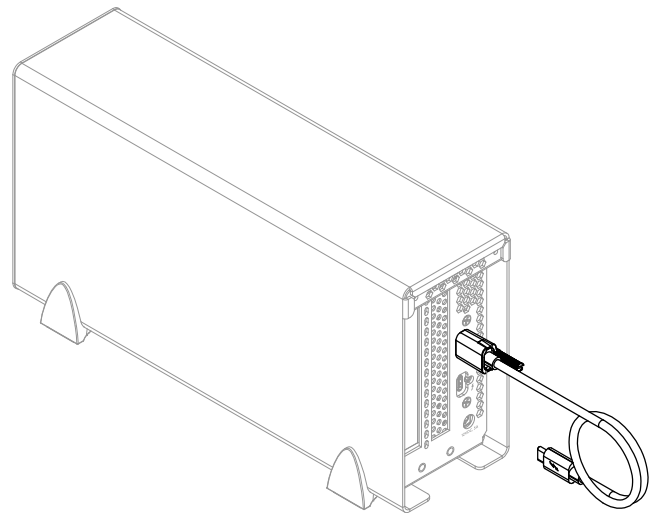


Figure 2

5 – Verification and Configuration Steps

Confirm Twin25G T5 Thunderbolt 5 Adapter and Its Ethernet Controllers are Recognized—Mac Users

1. With the Twin25G T5 adapter powered and connected to the computer, turn on the computer. If a message appears at startup asking you to allow the adapter to connect, unlock your Mac if necessary and then click allow.
2. Press and hold down the Option key, and then from the Apple menu, select System Information; a *System Information* window will open.
3. In the *System Information* window, click Thunderbolt... under the Hardware header in the left column.
4. In the top right column under the Thunderbolt... Device Tree header, you will see “Thunderbolt 5 PCIe Expansion”.



Support Note: If you do not see “Thunderbolt 5 PCIe Expansion” listed, disconnect and reconnect the Thunderbolt cable between the computer and Twin25G T5 adapter. Note that it is not necessary to shut down the computer before disconnecting and reconnecting the cable.

5. In the *System Information* window click Ethernet under the Hardware header in the left column.
6. At the top of the right column, the Twin25G T5 adapter's ports are listed as two separate Ethernet devices. You should see com.sonnettech.sntmlx5e listed next to Driver.
7. Skip to Basic Configuration Steps in the next column.

Confirm Twin25G T5 Thunderbolt 5 Adapter and Its Ethernet Controllers are Recognized—Windows Users

1. With the Twin25G T5 adapter connected to a power source and to the computer, turn on the computer.
2. When the computer boots for the first time after connecting the Twin25G, a *New Thunderbolt™ Devices Attached...* window may appear. Select Always Connect from the drop-down menu.
3. Right-click on the Windows Start Menu icon and select Device Manager; the *Device Manager* window will appear.
4. In the *Device Manager* window, click the arrow next to Network adapters to expand the list.
5. In the Network adapters list, the various adapters recognized by the system are listed. Each of the Sonnet adapter's ports will have the description “Mellanox ConnectX...” with either nothing else listed or #2 listed next to it.
6. Skip to the next section, Basic Configuration Steps—Windows Users in the next column.

Basic Configuration Steps—Mac Users

Listed below are the basic steps necessary to configure the Twin25G T5 adapter to achieve maximum performance.

1. With the Twin25G T5 adapter connected to your computer and 25GbE infrastructure (and everything turned on), open System Settings, and then click Network.
2. In the System Settings Network panel, click one of the Twin25G T5 adapter's ports (identified as Thunderbolt Ethernet Slot x, Port x and Thunderbolt Ethernet Slot x, Port x) in the sidebar, and then click Details.
3. In the Details panel, click Hardware. From the Configure drop-down menu, select “Manually”. In the Speed drop-down menu, choose autoselect. In the Duplex drop-down menu, select “full-duplex, flow control” (*not* “full duplex”). In the MTU drop-down menu, select “Jumbo (9000)”.



Support Notes: If you connect the Twin25G T5 adapter to a network switch, you **MUST** set the speed to **Autoselect**; otherwise the link will not be established.

In order to realize maximum performance, **the computer and every network switch and storage system to which the Twin25G T5 adapter is connected must be configured to have jumbo frames enabled.**

4. When you've completed changing the settings for the port, click OK.
5. Repeat steps 2–4 for the other port if necessary.

Basic Configuration Steps—Windows Users

1. With the Twin25G T5 adapter connected to your computer and 25GbE infrastructure (and everything powered on), open Device Manager. Click the arrow next to Network adapters to expand the list, and then double-click one of the Sonnet adapter's ports.
2. In the *Mellanox ConnectX... Properties* window, click the Information tab. Verify that the value for the link speed setting is 25.0 Gbps/Full Duplex.
3. In the *Mellanox ConnectX... Properties* window, click the Advanced tab, and then from the Property list, click Jumbo Packet. Verify that the value for the port is set to 9014.



Support Note: In order to realize maximum performance, **the computer and every network switch and storage system to which the Twin25G T5 adapter is connected must be configured to have jumbo frames enabled.**

4. Repeat steps 1–3 (if necessary) with the other port.

6 – Tips, General Information, and Known Issues

TIPS, GENERAL INFORMATION

Keeping the Twin25G T5 Adapter Cool

With its optimized airflow design and automatic, temperature-controlled fan providing cooling at all times, the Sonnet adapter provides adequate cooling for the components inside. *Do not block the fan or any of the vents while the adapter is operating!* Otherwise, the adapter may overheat.

There's No Need to Unplug the Power Adapter

Because the Twin25G T5 adapter automatically powers on and off with the computer to which it's connected, there's no power switch, nor is there any need to disconnect the power cable under normal use. When your computer is sleeping, Twin25G enters a low-power state; this allows it to wake with your computer.

Power Indicator LED Operation

Because the Twin25G T5 adapter automatically powers on and off with the computer to which it's connected, its power indicator only lights when the computer is on, and turns off when the computer is sleeping or powered off.

Connecting Additional Thunderbolt Peripheral Devices

The Twin25G T5 adapter includes two Thunderbolt 5 ports; the first connects it to your computer, while the second supports daisy-chaining of up to four additional Thunderbolt peripheral devices. When used with a Thunderbolt 4 or 3, or USB4 computer, we recommend against using daisy-chained devices at the same time as the Twin25G T5 adapter due to its high Thunderbolt PCIe bandwidth requirements.

Twin25G T5 Thunderbolt 5 Adapter Provides Downstream Power

The Twin25G T5 adapter can provide up to 15 watts to bus-powered Thunderbolt or USB peripheral devices, enabling them to operate without connecting an additional power adapter.

KNOWN ISSUES

Operating System (OS) Updates May Break Compatibility

Specific device drivers that work under one OS version may not work under a later version. Before updating your computer to the latest OS, we recommend that you check Sonnet's support pages to verify that the existing drivers work. Note that other software updates for the computer may also break compatibility.

7 – Warnings, FCC Compliance, Support Information

Warnings

- Do not attempt to modify the enclosure. If this device appears to be malfunctioning, contact your reseller or local distributor.
- Do not expose the device to rain, use it near water or containers that contain liquids which might spill into any openings, or in damp or wet conditions.
- Do not drop Twin25G T5 Thunderbolt 5 Adapter; dropping or mishandling the Sonnet adapter may result in a malfunction leaving the product inoperable.
- Follow the instructions in this manual carefully; contact your reseller or local distributor for additional advice not covered in this User's Guide.
- If unusual smells, sounds, or smoke come from the device, or if liquids enter it, switch it off immediately and unplug it from the electrical outlet.

FCC Compliance

Twin25G T5 Thunderbolt 5 Adapter complies with Part 15 of the FCC Rules. Operation is subject to the following two conditions: This device may not cause harmful interference, AND this device must accept any interference received, including interference that may cause undesired operation.

Contacting Customer Service

Before contacting Customer Service, please check the Sonnet Web site (www.sonnettech.com) for the latest updates and files. When you contact Customer Service, please have the following information available:

- Product name
- Date and place of purchase
- Computer model
- Operating system version
- Software/firmware versions
- A System Report (macOS) or a Microsoft System Information MSINFO32 (Windows) report (Windows), along with a description of the issue(s) you are encountering with your device

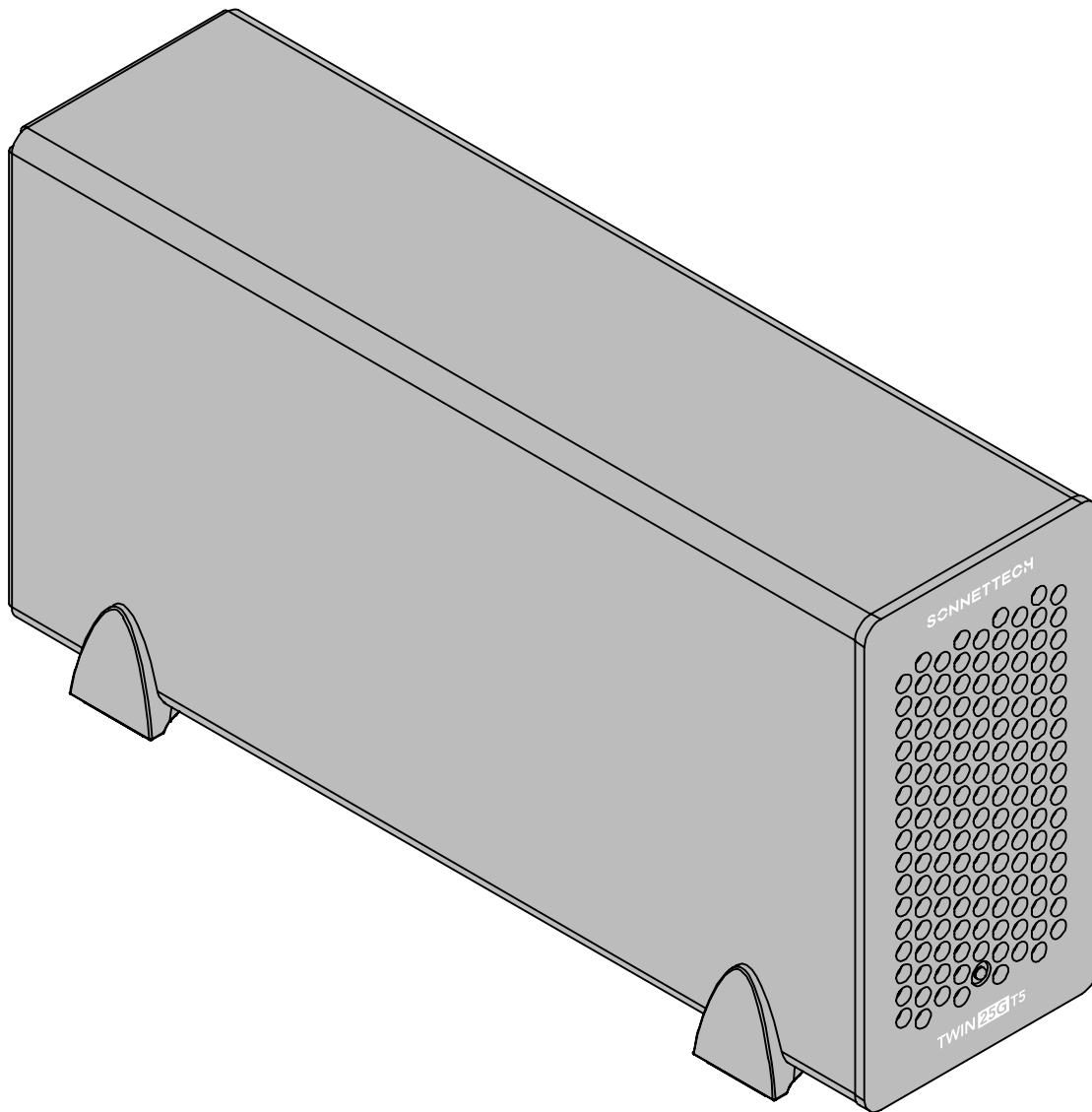
If further assistance is needed, please visit:
<https://www.sonnettech.com/support/contact/support-form.html>

Japan Customers

Contact Sonnet Customer Service Japan at:
E-mail: jp.support@sonnettech.com

Guide de l'utilisateur

pour Twin25G T5 Thunderbolt 5 Adapter



Support Note: Ce document était à jour au moment de son impression. Toutefois, des modifications matérielles ou logicielles ont pu être apportées depuis. Veuillez consulter le site web de Sonnet pour obtenir la documentation la plus récente.

1. Rendez-vous sur www.sonnetech.com/support/kb/kb.php
2. Accédez au lien du Twin25G T5 Thunderbolt 5 Adapter et cliquez dessus.
3. Cliquez sur le lien Manual.
4. Cliquez sur le lien du Twin25G T5 Thunderbolt 5 Adapter User's Guide [English/French], puis vérifiez la version du document. Si la version affichée est postérieure à celle-ci (révision A), cliquez sur le bouton Télécharger maintenant pour obtenir la dernière version.



For
Windows



RoHS
COMPLIANT



Contenu

1	Configuration système requise, informations sur les pilotes et préparation du système	1
	Compatibilité Mac	
	Compatibilité Windows	
	Compatibilité Linux	
	Configuration système requise	
	Informations sur les pilotes – macOS	
	Informations sur les pilotes – Windows	
	Informations sur les pilotes – Linux	
	Préparation à l'utilisation de l'adaptateur avec un ordinateur Mac	
	Préparation à l'utilisation de l'adaptateur avec un ordinateur Windows	
	Préparation à l'utilisation de l'adaptateur avec un ordinateur Linux	
2	Description du Twin25G T5 Thunderbolt 5 Adapter	2
	Indicateurs et ports du Twin25G T5 Thunderbolt 5 Adapter	
	Contenu supplémentaire de l'emballage	
3	Étapes de téléchargement et d'installation des pilotes	3
	Étapes de téléchargement et d'installation des pilotes – Utilisateurs Mac	
	Étapes de téléchargement et d'installation des pilotes – Utilisateurs Windows	
4	Étapes de connexion du Twin25G T5 Thunderbolt 5 Adapter	4
5	Étapes de vérification et de configuration	5
	Vérifier que le Twin25G T5 Thunderbolt 5 Adapter et ses contrôleurs Ethernet sont reconnus – Utilisateurs Mac	
	Vérifier que le Twin25G T5 Thunderbolt 5 Adapter et ses contrôleurs Ethernet sont reconnus – Utilisateurs Windows	
	Étapes de configuration de base – Utilisateurs Mac	
	Étapes de configuration de base – Utilisateurs Windows	
6	Conseils, informations générales et problèmes connus	6
	Conseils, informations générales	
	Problèmes connus Problèmes	
7	Avertissements, conformité aux normes FCC et assistance	6
	Avertissements	
	Conformité aux normes FCC	
	Contacteur le service client	

1 – Configuration système requise, informations sur les pilotes et préparation du système

Compatibilité Mac

- Ordinateur avec ports Thunderbolt 5, Thunderbolt 4, Thunderbolt/USB4 ou Thunderbolt 3*
- macOS 14 et versions ultérieures

Compatibilité Windows

- Ordinateur avec ports Thunderbolt 5 ou 4, ou USB4*
- Windows 11
- Windows Server 2025, 2022

Compatibilité Linux

- Ordinateur avec ports Thunderbolt 5 ou 4, ou USB4
- Linux 6.1 ou 6.12

Configuration système requise

L'adaptateur Twin25G T5 nécessite les éléments suivants pour fonctionner :

- Câbles à fibre optique multimodes LC/LC OM3 ou OM4 (vendus séparément). Avec des câbles OM2, les débits atteignent 10 Gbit/s.

Informations sur le pilote – macOS

Le pilote permettant à l'adaptateur Twin25G T5 de fonctionner avec les ordinateurs Mac doit être téléchargé depuis le site web de Sonnet et installé avant de connecter l'adaptateur Twin25G T5 à votre ordinateur ; les instructions sont fournies ci-dessous.

Informations sur les pilotes – Windows

Bien qu'un pilote permettant à l'adaptateur Twin25G T5 de fonctionner avec les ordinateurs Windows soit déjà présent dans les systèmes d'exploitation Windows compatibles, il est recommandé de télécharger la dernière version du pilote depuis le site web de Sonnet et de l'installer avant de connecter l'adaptateur Twin25G T5 à votre ordinateur ; les instructions suivent.

Informations sur les pilotes et la configuration – Linux

Les pilotes permettant à l'adaptateur Twin25G T5 de fonctionner sous Linux sont installés avec les noyaux Linux 6.1 et 6.12.

La procédure de configuration de l'adaptateur Twin25G T5 peut varier selon la version de Linux utilisée. Sonnet recommande d'utiliser la méthode et les outils que vous utilisez habituellement pour configurer les ports intégrés.

Préparation à l'utilisation de l'adaptateur avec un ordinateur Mac

1. Mettez à jour votre ordinateur vers une version de macOS prise en charge, si nécessaire.
2. Téléchargez et installez l'application d'installation du pilote Twin25G (voir les instructions ci-dessous) ; **ne connectez pas l'adaptateur à votre ordinateur tant que cette étape n'est pas terminée.**
3. Connectez l'adaptateur Sonnet à un commutateur ou à un système de stockage (voir les instructions ci-dessous).
4. Connectez l'adaptateur Twin25G T5 à votre ordinateur, puis allumez l'ordinateur et l'adaptateur (voir les instructions ci-dessous).
5. Vérifiez que l'adaptateur Twin25G T5 et ses contrôleurs Ethernet sont reconnus par votre ordinateur (voir les instructions ci-dessous).
6. Configurez l'adaptateur via le panneau de configuration Réseau des Réglages système (voir les instructions ci-dessous).

Préparation à l'utilisation de l'adaptateur avec un ordinateur Windows

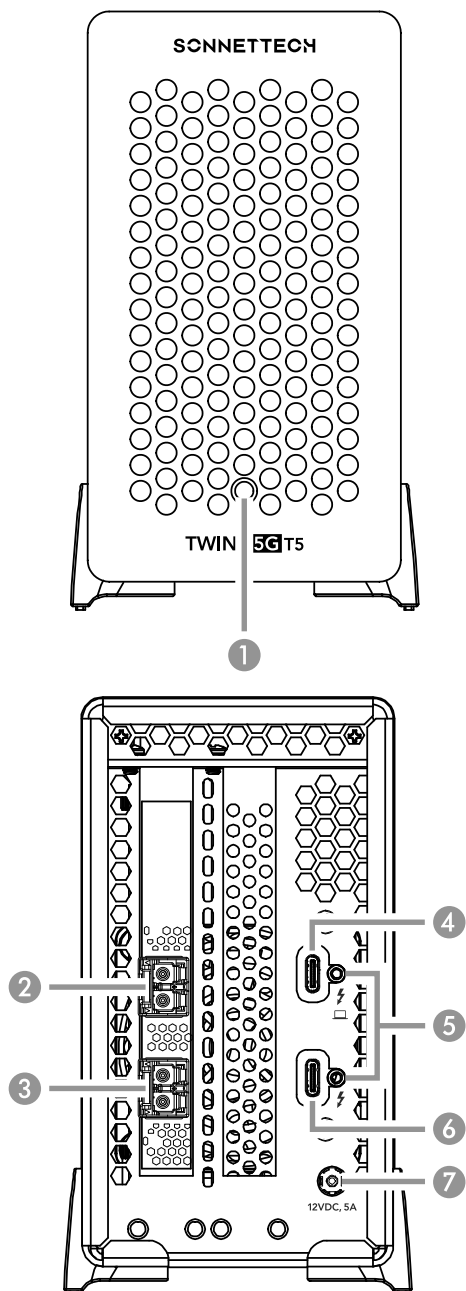
1. Mettez à jour votre ordinateur vers une version de Windows prise en charge, si nécessaire.
2. Téléchargez et installez les pilotes Twin25G T5 (voir les instructions ci-dessous).
3. Connectez l'adaptateur Sonnet à un commutateur ou à un système de stockage (voir les instructions ci-dessous).
4. Connectez l'adaptateur Twin25G T5 à votre ordinateur, puis autorisez l'appareil (toujours autoriser) ; voir les instructions ci-dessous.
5. Vérifiez que l'adaptateur Twin25G T5 et ses contrôleurs Ethernet sont reconnus par votre ordinateur (voir les instructions ci-dessous).
6. Configurez l'adaptateur via le Gestionnaire de périphériques Windows (voir les instructions ci-dessous).

Préparation à l'utilisation de l'adaptateur avec un ordinateur Linux

1. Mettez à jour votre ordinateur vers une version de Linux prise en charge, si nécessaire.
2. Connectez l'adaptateur Sonnet à un commutateur ou à un système de stockage.
3. Connectez l'adaptateur Twin25G T5 à votre ordinateur, puis allumez l'ordinateur.
4. Configurez l'adaptateur en utilisant les méthodes ou les outils que vous utilisez habituellement pour configurer les ports Ethernet intégrés.

* La prise en charge de l'USB 4.0 requiert un routeur hôte USB 4.0 (Microsoft). Pour le vérifier, accédez au Gestionnaire de périphériques et développez la catégorie « Contrôleurs de bus USB ».

2 – Description du Twin25G T5 Thunderbolt 5 Adapter



Indicateurs et ports du Twin25G T5 Thunderbolt 5 Adapter

- 1 – Voyant d'alimentation**

Cette LED s'allume lorsque l'adaptateur est alimenté, que le câble Thunderbolt entre l'adaptateur et votre ordinateur est correctement branché et que l'ordinateur est allumé. Notez que si l'adaptateur est connecté à un autre périphérique Thunderbolt au lieu d'être directement connecté à l'ordinateur, tout autre périphérique connecté entre l'ordinateur et l'adaptateur doit également être sous tension pour que le voyant d'alimentation de l'adaptateur s'allume.
- 2, 3 – Émetteurs-récepteurs SFP28 (installés)**

Connectez des câbles à fibre optique LC/LC à ces émetteurs-récepteurs optiques. Assurez-vous que les émetteurs-récepteurs sont correctement insérés et fixés.
- 4 – Port Thunderbolt/Ordinateur**

Connectez le câble Thunderbolt 5 fourni (ou un autre câble certifié) entre ce port et le port Thunderbolt ou USB4 de votre ordinateur (ou un autre périphérique Thunderbolt de la chaîne connectée à l'ordinateur). *Vous ne pouvez pas connecter deux ordinateurs aux ports Thunderbolt de cet adaptateur, ni à une chaîne de périphériques Thunderbolt entre plusieurs ordinateurs.*
- 5 – Écrous filetés pour le ThunderLok™**

Fixez ici le dispositif de verrouillage du connecteur Thunderbolt fourni.
- 6 – Port périphérique Thunderbolt**

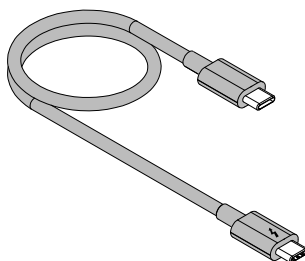
Ce port peut être utilisé pour connecter un autre périphérique Thunderbolt, un ou plusieurs écrans ou un périphérique USB (avec le câble ou l'adaptateur approprié).
- 7 – Prise 12 V CC**

Connectez l'adaptateur secteur 12 V, 5 A fourni entre cette prise et le cordon d'alimentation fourni.

Contenu supplémentaire de l'emballage

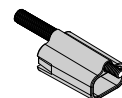
Câble Thunderbolt 5

Connectez ce câble entre le port Thunderbolt/Ordinateur de l'adaptateur Twin25G T5 et votre ordinateur (ou tout autre appareil Thunderbolt connecté en série à l'ordinateur). La connexion de l'adaptateur à un port d'ordinateur portant une icône USB générique (🔌) ou une icône de port de charge USB (🔌) n'est PAS prise en charge.



Verrou de maintien pour connecteur Thunderbolt ThunderLok™

Ce dispositif sécurise le connecteur du câble Thunderbolt fourni lorsqu'il est branché au port Thunderbolt de l'adaptateur Twin25G T5, empêchant ainsi toute déconnexion accidentelle. Ce verrou est compatible avec les câbles Thunderbolt Sonnet.



Adaptateur secteur 12 V, 5 A (non illustré)

Connectez-le à la prise 12 V CC de l'adaptateur Twin25G T5.

Cordon d'alimentation (non illustré)

Connectez ce cordon entre une prise de courant et l'adaptateur secteur.

3 – Étapes de téléchargement et d'installation des pilotes

Étapes de téléchargement et d'installation du pilote – Utilisateurs Mac



Note de support : NE branchez PAS l'adaptateur Twin25G T5 à votre ordinateur tant que le pilote n'a pas été installé, comme décrit dans la section suivante.

1. Lancez un navigateur web et accédez à <https://www.sonnettech.com/support/kb/kb.php>.
 2. Accédez au lien de Twin25G T5 Thunderbolt 5 Adapter et cliquez dessus.
 3. Sur la page de la bibliothèque d'assistance, cliquez sur le lien Pilote, puis sur la flèche à côté de TWIN25G/TWIN10G SFP28 Software [macOS]. Après avoir lu les informations, cliquez sur le bouton Download Now ; le fichier sera téléchargé.
 4. Localisez le fichier .dmg téléchargé et double-cliquez dessus pour l'ouvrir ; une nouvelle fenêtre s'affichera. Copiez l'application Sonnet Network dans le dossier Applications de votre ordinateur en la faisant glisser sur l'icône du raccourci Applications dans la fenêtre d'installation.
 5. Double-cliquez sur l'icône du raccourci Applications pour ouvrir le dossier Applications de votre ordinateur.
 6. Double-cliquez sur Sonnet Network.app ; une fenêtre contextuelle s'affichera indiquant qu'« Sonnet Network est une application téléchargée depuis Internet. Cliquez sur Ouvrir ; l'application Sonnet Network s'ouvrira.
 7. Dans la fenêtre *Sonnet Network*, cliquez sur Enable (Activer) ; cette opération n'est nécessaire qu'une seule fois (l'application n'a plus besoin de fonctionner par la suite). Une fenêtre de dialogue s'affichera.
-
- AVERTISSEMENT :** Ne supprimez PAS l'application Sonnet Network ! Cela entraînerait la suppression du pilote de l'adaptateur Twin25G T5.
8. Cliquez sur Ouvrir Réglages Système, et NON sur le bouton OK en surbrillance; cela ouvrira Réglages Système > Général > Ouverture et extensions.
 9. Lorsque la fenêtre Extensions de pilote s'affiche, activez l'interrupteur pour Sonnet Network, puis cliquez sur Terminé.
 10. Lorsque la fenêtre contextuelle Extension système s'affiche, saisissez le mot de passe administrateur, puis cliquez sur OK.
 11. Dans la fenêtre contextuelle Extension de pilote, cliquez sur Terminé, puis, de retour dans la fenêtre d'installation d'« Sonnet Network », cliquez sur Quitter.
 12. Une fois l'installation du pilote terminée, redémarrez votre ordinateur ; vous pouvez maintenant connecter l'adaptateur Twin25G T5 à votre ordinateur.

Étapes de téléchargement et d'installation du pilote – Utilisateurs Windows



Note de support : Ne branchez pas l'adaptateur Twin25G T5 à votre ordinateur tant que le pilote n'a pas été installé, comme décrit dans la section suivante.

1. Lancez un navigateur web et accédez à <https://www.sonnettech.com/support/kb/kb.php>.
2. Accédez au lien de Twin25G T5 Thunderbolt 5 Adapter et cliquez dessus.
3. Sur la page d'assistance de Twin25G T5 Thunderbolt 5 Adapter, cliquez sur le lien « Driver », puis sur le bouton « Download Now » à côté du lien « TWIN25G/TWIN10G SFP28 Software [Windows] » ; une nouvelle fenêtre ou un nouvel onglet s'ouvrira.
4. Sur la page *MLNX_OFED for Windows - WinOF / WinOF-2* cliquez sur l'onglet « WinOF-2 Download » pour ouvrir la fenêtre du Centre de téléchargement WinOF-2, puis sélectionnez les options suivantes :
 - la dernière version
 - Windows Server ou Windows Client
 - la version de votre système d'exploitation (Distribution). Dans la colonne Téléchargement/Documentation, cliquez sur le lien du pilote WinOF ; le fichier sera téléchargé.
5. Localisez le fichier .exe que vous avez téléchargé, puis double-cliquez dessus pour lancer l'installation du pilote.
6. Suivez les instructions à l'écran pour terminer l'installation du pilote.
7. Une fois l'installation du pilote terminée, redémarrez votre ordinateur ; vous pouvez maintenant connecter l'adaptateur Twin25G T5 à votre ordinateur.

4 – Étapes de connexion du Twin25G T5 Thunderbolt 5 Adapter



Note de support : Le clip de fixation du connecteur ThunderLok Thunderbolt maintient le câble Thunderbolt 5 fourni à l'adaptateur Twin25G T5 afin d'éviter toute déconnexion accidentelle. Il est compatible avec les câbles Sonnet Thunderbolt.

Pour fixer le clip au câble, retirez-les de leur emballage, puis insérez le connecteur dans le clip comme indiqué (Figure 1). Le connecteur traversera entièrement le clip ; une fois le câble connecté au boîtier, le clip maintiendra le connecteur en place.

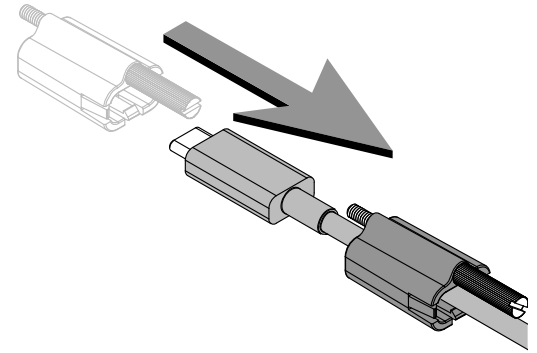


Figure 1

1. Connectez le câble Thunderbolt 5 fourni (ou un autre câble certifié) entre le port Thunderbolt/Ordinateur de l'adaptateur Twin25G T5 et un port Thunderbolt ou USB4 de votre ordinateur, ou un autre périphérique Thunderbolt de la chaîne connectée à l'ordinateur (Figure 2). Notez que les câbles ou les ports d'ordinateur marqués d'une icône USB générique (↔) ou d'une icône de port de charge USB (⚡) ne sont PAS compatibles. Fixez le clip de retenue au trou fileté situé sous le port Thunderbolt de l'adaptateur, si vous l'avez installé.

Si vous connectez d'autres périphériques Thunderbolt en série, connectez un autre câble Thunderbolt entre le périphérique aval et le port Thunderbolt libre de l'adaptateur Twin25G T5. Notez également qu'il est impossible de connecter deux ordinateurs aux ports Thunderbolt de l'adaptateur Twin25G T5, ni à une chaîne de périphériques Thunderbolt entre les ordinateurs.

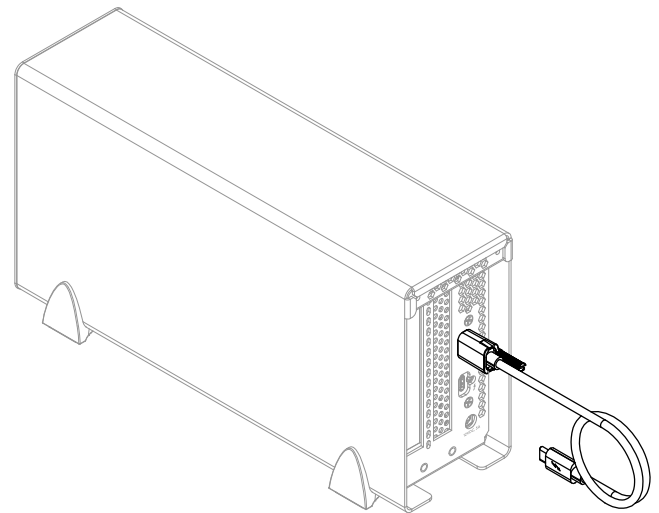


Figure 2



Note de Support : À moins que votre configuration ne nécessite une redondance de connexion (et que votre commutateur ou système de stockage la prenne en charge), la connexion de l'adaptateur Twin25G T5 à un commutateur ou à un système de stockage ne requiert qu'un seul émetteur-récepteur SFP28 et un câble à fibre optique approprié. Vous pouvez éventuellement installer le second émetteur-récepteur fourni dans votre commutateur ou système de stockage.

3. Connectez le cordon d'alimentation fourni entre une prise murale ou une multiprise et l'adaptateur secteur ; assurez-vous que le connecteur est bien branché.
4. Connectez le câble de l'adaptateur secteur à la prise d'alimentation 12 V de l'adaptateur Twin25G T5. Notez que l'indicateur d'alimentation de l'adaptateur Twin25G T5 ne s'allumera que lorsque l'ordinateur et tous les autres périphériques Thunderbolt connectés entre celui-ci et l'adaptateur seront sous tension.
5. Passez à la section suivante, Étapes de vérification et de configuration.

5 – Étapes de vérification et de configuration

Vérifier que l'adaptateur Twin25G T5 Thunderbolt 5 et ses contrôleurs Ethernet sont reconnus — Utilisateurs Mac

1. L'adaptateur Twin25G T5 étant alimenté et connecté à l'ordinateur, allumez l'ordinateur. Si un message s'affiche au démarrage vous demandant d'autoriser la connexion de l'adaptateur, déverrouillez votre Mac si nécessaire, puis cliquez sur Autoriser.
 2. Maintenez la touche Option enfoncée, puis, dans le menu Apple, sélectionnez *Informations système* ; une fenêtre Informations système s'ouvrira.
 3. Dans la fenêtre *Informations système*, cliquez sur Thunderbolt... sous l'en-tête Matériel dans la colonne de gauche.
 4. Dans la colonne supérieure droite, sous l'en-tête Arborescence des périphériques Thunderbolt..., vous verrez « Thunderbolt 5 PCIe Expansion ».
- 

Note de Support : Si vous ne voyez pas « Extension Thunderbolt 5 PCIe » dans la liste, déconnectez puis reconnectez le câble Thunderbolt entre l'ordinateur et l'adaptateur Twin25G T5. Il n'est pas nécessaire d'éteindre l'ordinateur avant de déconnecter et de reconnecter le câble.
5. Dans la fenêtre *Informations système*, cliquez sur Ethernet sous l'en-tête Matériel dans la colonne de gauche.
 6. En haut de la colonne de droite, les ports de l'adaptateur Twin25G T5 sont répertoriés comme deux périphériques Ethernet distincts. Vous devriez voir com.sonnettech.sntmlx5e affiché à côté de Pilote.
 7. Passez aux étapes de configuration de base.

Vérifier que l'adaptateur Twin25G T5 Thunderbolt 5 et ses contrôleurs Ethernet sont reconnus — Utilisateurs Windows

1. L'adaptateur Twin25G T5 étant connecté à une source d'alimentation et à l'ordinateur, allumez l'ordinateur.
2. Lors du premier démarrage de l'ordinateur après avoir connecté le Twin25G, une fenêtre *Nouveaux appareils Thunderbolt™ connectés...* peut apparaître. Sélectionnez Toujours connecter dans le menu déroulant.
3. Cliquez avec le bouton droit de la souris sur l'icône du menu Démarrer de Windows et sélectionnez Gestionnaire de périphériques ; la fenêtre *Gestionnaire de périphériques* s'ouvrira.
4. Dans la fenêtre *Gestionnaire de périphériques*, cliquez sur la flèche à côté de Cartes réseau pour développer la liste.
5. Dans la liste des cartes réseau, les différentes cartes reconnues par le système sont répertoriées. Chacun des ports de l'adaptateur Sonnet aura la description « Mellanox ConnectX... » sans autre mention ou avec #2 à côté.
6. Passez aux étapes de configuration de base.

Étapes de configuration de base — Utilisateurs Mac

Voici les étapes de base nécessaires pour configurer l'adaptateur Twin25G T5 afin d'obtenir des performances optimales.

1. L'adaptateur Twin25G T5 étant connecté à votre ordinateur et à l'infrastructure 25 GbE (et tous les appareils étant allumés), ouvrez les Réglages système, puis cliquez sur Réseau.
2. Dans le panneau Réseau des Réglages système, cliquez sur l'un des ports de l'adaptateur Twin25G T5 (identifié comme Thunderbolt Ethernet Slot x, Port x et Thunderbolt Ethernet Slot x, Port x) dans la barre latérale, puis cliquez sur Détails.
3. Dans le panneau Détails, cliquez sur Matériel. Dans le menu déroulant Configurer, sélectionnez « Manuellement ». Dans le menu déroulant Vitesse, choisissez Sélection automatique. Dans le menu déroulant Duplex, sélectionnez « Full-duplex, contrôle de flux » (et non « Full duplex »). Dans le menu déroulant MTU, sélectionnez « Jumbo (9000) ».



Notes de Support : Si vous connectez l'adaptateur Twin25G T5 à un commutateur réseau, **vous DEVEZ régler la vitesse sur « Sélection automatique »** ; sinon, la connexion ne sera pas établie.

Pour obtenir des performances optimales, **l'ordinateur, ainsi que tous les commutateurs réseau et systèmes de stockage auxquels l'adaptateur Twin25G T5 est connecté, doivent être configurés pour prendre en charge les trames jumbo.**

4. Une fois les paramètres du port modifiés, cliquez sur OK.
5. Répétez les étapes 2 à 4 pour l'autre port si nécessaire.

Étapes de configuration de base — Utilisateurs Windows

1. L'adaptateur Twin25G T5 étant connecté à votre ordinateur et à l'infrastructure 25 GbE (et tous les appareils étant allumés), ouvrez le Gestionnaire de périphériques. Cliquez sur la flèche à côté de Cartes réseau pour développer la liste, puis double-cliquez sur l'un des ports de l'adaptateur Sonnet.
2. Dans la fenêtre Propriétés de *Mellanox ConnectX*, cliquez sur l'onglet Informations. Vérifiez que la vitesse de la liaison est bien de 25,0 Gbit/s en mode Full Duplex.
3. Dans la fenêtre *Propriétés de Mellanox ConnectX...*, cliquez sur l'onglet Avancé, puis, dans la liste Propriété, cliquez sur Paquet Jumbo. Vérifiez que la valeur du port est définie sur 9014.



Note de Support : Pour des performances optimales, **l'ordinateur, ainsi que tous les commutateurs réseau et systèmes de stockage auxquels l'adaptateur Twin25G T5 est connecté, doivent être configurés avec la prise en charge des trames jumbo activée.**

4. Répétez les étapes 1 à 3 (si nécessaire) avec l'autre port.

6 – Conseils, informations générales et problèmes connus

CONSEILS, INFORMATIONS GÉNÉRALES

Maintenir l'adaptateur Twin25G T5 au frais

L'adaptateur Sonnet assure un refroidissement adéquat des composants internes en permanence. *Ne bloquez pas le ventilateur ni aucune des ouvertures de ventilation lorsque l'adaptateur est en fonctionnement* ! Sinon, l'adaptateur risque de surchauffer.

Il n'est pas nécessaire de débrancher l'adaptateur secteur

Étant donné que l'adaptateur Twin25G T5 s'allume et s'éteint automatiquement avec l'ordinateur auquel il est connecté, il n'y a pas d'interrupteur d'alimentation et il n'est pas nécessaire de débrancher le câble d'alimentation dans des conditions normales d'utilisation. Lorsque votre ordinateur est en veille, l'adaptateur Twin25G T5 passe en mode basse consommation, ce qui lui permet de se réveiller en même temps que l'ordinateur.

Fonctionnement du voyant LED d'alimentation

Puisque l'adaptateur Twin25G T5 s'allume et s'éteint automatiquement avec l'ordinateur auquel il est connecté, son voyant d'alimentation ne s'allume que lorsque l'ordinateur est en marche et s'éteint lorsque l'ordinateur est en veille ou hors tension.

Connexion de périphériques Thunderbolt supplémentaires

L'adaptateur Twin25G T5 comprend deux ports Thunderbolt 5 ; le premier sert à le connecter à votre ordinateur, tandis que le second permet le chaînage en série (daisy chain) de jusqu'à quatre périphériques Thunderbolt supplémentaires. Lorsqu'il est utilisé avec un ordinateur Thunderbolt 4, Thunderbolt 3 ou USB4, nous déconseillons d'utiliser des périphériques en chaîne en même temps que l'adaptateur Twin25G T5 en raison de ses exigences élevées en bande passante PCIe Thunderbolt.

L'adaptateur Twin25G T5 fournit une alimentation en aval

L'adaptateur Twin25G peut fournir jusqu'à 15 watts aux périphériques Thunderbolt alimentés par le bus, leur permettant de fonctionner sans connecter d'adaptateur secteur supplémentaire.

PROBLÈMES CONNUS

Les mises à jour du système d'exploitation peuvent rompre la compatibilité

Des pilotes spécifiques qui fonctionnent avec une version du système d'exploitation peuvent ne pas fonctionner avec une version ultérieure. Avant de mettre à jour votre ordinateur vers la dernière version de l'OS, nous vous recommandons de consulter les pages d'assistance de Sonnet afin de vérifier que les pilotes existants sont compatibles. Notez que d'autres mises à jour logicielles de l'ordinateur peuvent également rompre la compatibilité.

7 – Avertissements, conformité aux normes FCC et assistance

Avertissements

- N'essayez pas de modifier le boîtier. Si cet appareil semble présenter un dysfonctionnement, contactez votre revendeur ou votre distributeur local.
- N'exposez pas l'appareil à la pluie, ne l'utilisez pas à proximité de l'eau ou de récipients contenant des liquides susceptibles de se renverser dans les ouvertures, ni dans des environnements humides ou mouillés.
- Ne laissez pas tomber l'adaptateur Twin25G T5 ; une chute ou une mauvaise manipulation de l'adaptateur Sonnet peut entraîner un dysfonctionnement rendant le produit inutilisable.
- Suivez attentivement les instructions de ce manuel ; contactez votre revendeur ou votre distributeur local pour obtenir des conseils supplémentaires non couverts par ce guide de l'utilisateur.
- Si des odeurs inhabituelles, des bruits ou de la fumée proviennent de l'appareil, ou si des liquides y pénètrent, éteignez-le immédiatement et débranchez-le de la prise électrique.

Conformité FCC

L'adaptateur Twin25G T5 Thunderbolt 5 est conforme à la partie 15 des règlements de la FCC. Son utilisation est soumise aux deux conditions suivantes : Cet appareil ne doit pas causer d'interférences nuisibles ; Cet appareil doit accepter toute interférence reçue, y compris les interférences pouvant entraîner un fonctionnement non souhaité.

Contactez le service client

Avant de contacter le service client, veuillez consulter le site Web sonnet (www.sonnettech.com) pour obtenir les dernières mises à jour et les fichiers. Lorsque vous contactez le service client, veuillez disposer des informations suivantes :

- Nom du produit • Date et lieu d'achat • Modèle de l'ordinateur
- Version du système d'exploitation • Versions des logiciels/ firmwares • Un rapport système (macOS) ou un rapport Microsoft System Information MSINFO32 (Windows), ainsi qu'une description du ou des problèmes rencontrés avec votre appareil

Si une assistance supplémentaire est nécessaire, veuillez consulter :

<https://www.sonnettech.com/support/contact/support-form.html>

Clients au Japon

Contactez le service client Sonnet Japon à l'adresse suivante :

E-mail : jp.support@sonnettech.com